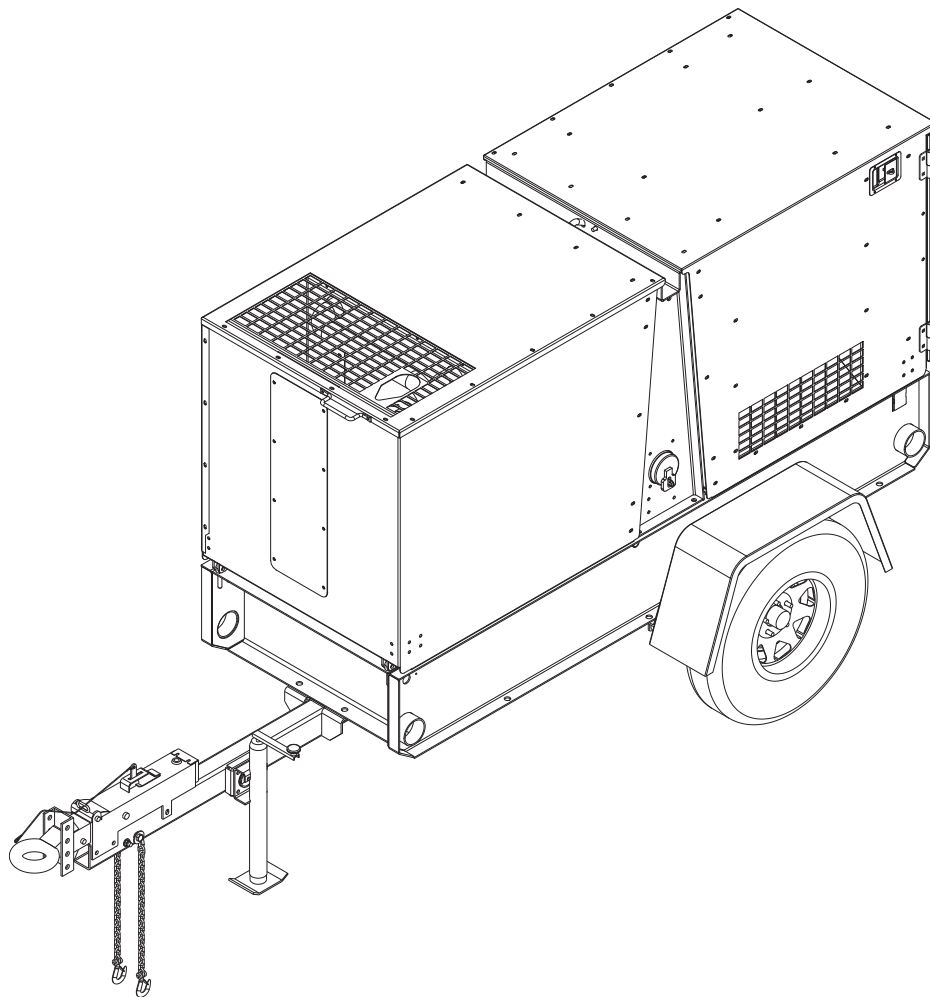


GENERAC[®] | **MOBILE
PRODUCTS**

**DIESEL GENERATOR
MMG25FHI • MMG25FHICAN
MMG25FHICAN6 (V-FLEX)**



PARTS MANUAL

INTRODUCTION

Before servicing this machine, make sure the engine start switch is turned to “OFF/O”, the circuit breakers are open (“OFF/O”), the emergency stop switch is closed (pushed in), and the negative (-) terminal on battery is disconnected. Attach a “DO NOT START” sign to the control panel. This will notify everyone that the unit is being serviced and will reduce the chance of someone inadvertently trying to start the unit. If the unit is connected to a remote start or transfer switch, make sure the remote switch is also off and tagged.

▲ WARNING

Before operating or servicing this equipment, read and understand the Generac Operating Manual which was included with the unit when shipped from the factory. Failure to do so increases the risk of injury to yourself or others.

**Generac Mobile Products LLC
215 Power Drive • Berlin, WI 54923
U.S.A.
Phone: 920-361-4442
FAX: 920-361-4416
Toll Free: 1-800-926-9768
www.generacmobile.com**

For technical or parts QUESTIONS, please contact the Generac Mobile Products Customer Support or Technical Support team at 1-800-926-9768. Please have your serial number available.

To ORDER SERVICE PARTS, please contact the dealer from which you purchased the unit, or call Generac Mobile Products to locate a dealer in your area.

Engine Make: _____
Engine Serial Number: _____
Engine Model Number: _____
Generator Make: _____
Generator Model Number: _____
Generator Serial Number: _____
Unit Model Number: _____
Unit Serial Number: _____

▲ WARNING

**CALIFORNIA PROPOSITION 65 WARNING:
Diesel engine exhaust and some of its constituents are known to the state of California to cause cancer, birth defects and other reproductive harm.**

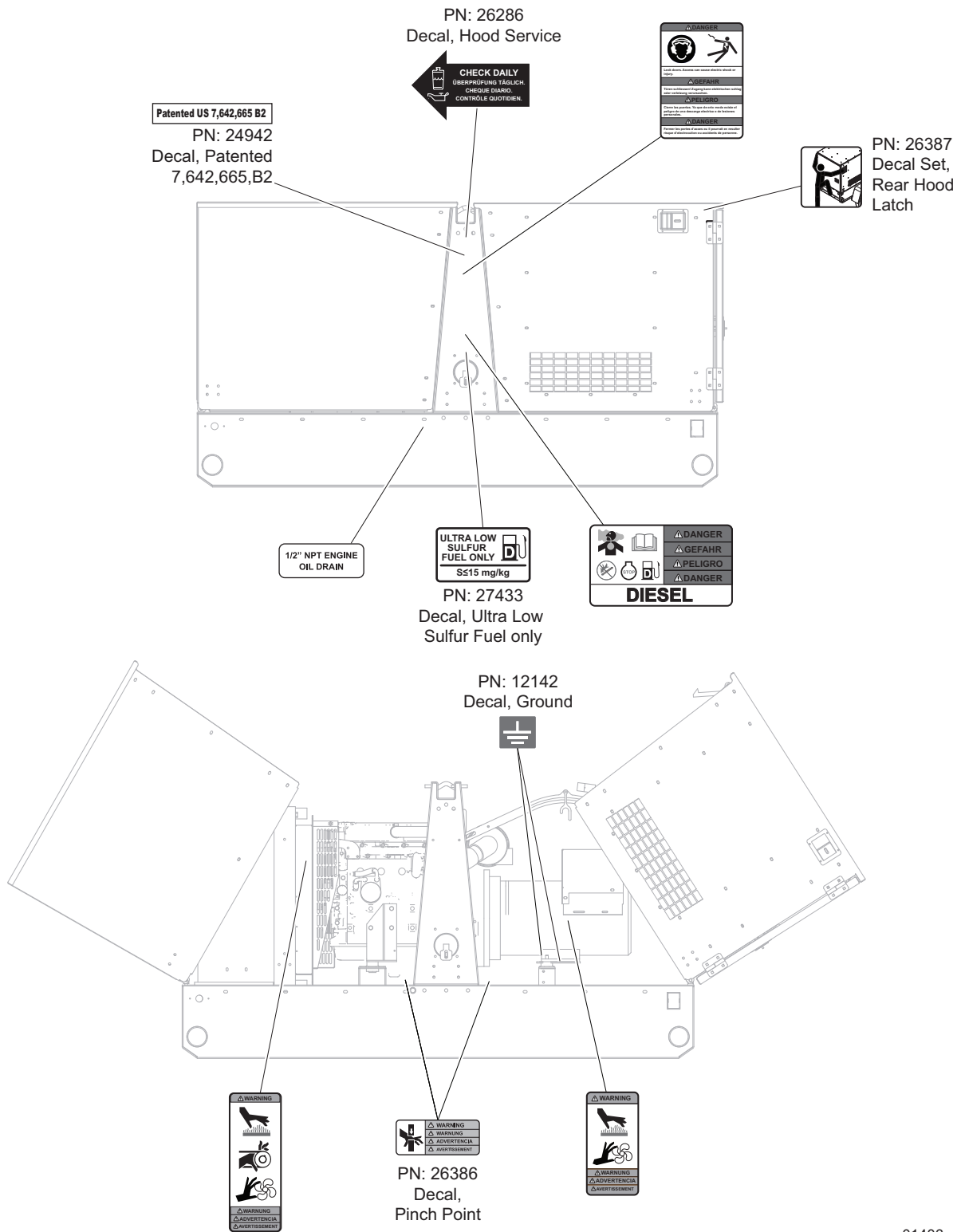
▲ WARNING

**CALIFORNIA PROPOSITION 65 WARNING:
This product contains or emits chemicals known to the state of California to cause cancer, birth defects, and other reproductive harm.**

TABLE OF CONTENTS

	Page
INTRODUCTION	2
UNIT DECALS - LEFT SIDE	4
UNIT DECALS - RIGHT SIDE	5
UNIT DECALS - FRONT, BACK & CONTROL PANELS - MMG25FHI, MMG25FHICAN	6
UNIT DECALS - FRONT, BACK & CONTROL PANELS - MMG25FHICAN6	7
ENCLOSURE COMPONENTS	8
HOODS TO SKID ASSEMBLY	10
FRONT HOOD ASSEMBLY (1 OF 2)	12
FRONT HOOD ASSEMBLY (2 OF 2)	14
REAR HOOD ASSEMBLY (1 OF 2)	16
REAR HOOD ASSEMBLY (2 OF 2)	18
CONTROL DOOR ASSEMBLY	20
CONTROL BOX ASSEMBLY (1 OF 2)	22
CONTROL BOX ASSEMBLY (2 OF 2)	24
LUG DOOR ASSEMBLY	26
LUG PANEL ASSEMBLY	28
CONTROL PANEL ASSEMBLY	30
RECEPTACLE PANEL ASSEMBLY	32
CAM LOCK PANEL ASSEMBLY	34
CIRCUIT BREAKER ASSEMBLY	36
EMERGENCY STOP SWITCH ASSEMBLY	38
LIFT STRUCTURE ASSEMBLY	40
AIR FILTER ASSEMBLY	42
EXHAUST SYSTEM ASSEMBLY	44
COOLING SYSTEM ASSEMBLY	46
ENGINE TO SKID ASSEMBLY	48
ENGINE ASSEMBLY - LEFT SIDE	50
ENGINE ASSEMBLY - RIGHT SIDE	52
HOTSTART ASSEMBLY - MMG25FHICAN, MMG25FHCAN6	54
GENERATOR ASSEMBLY	56
SKID ASSEMBLY	58
SKID ASSEMBLY	60
FUEL TANK ASSEMBLY - MMG25FHI	62
FUEL TANK ASSEMBLY - MMG25FHICAN, MMG25FHICAN6	64
TRAILER ASSEMBLY - SINGLE AXLE	66
TRAILER ASSEMBLY - TANDEM AXLE	68
AXLE ASSEMBLY	70
BRAKE LINES - SINGLE AXLE	72
BRAKE LINES - TANDEM AXLE	74
RECOMMENDED SPARE PARTS LIST	76

UNIT DECALS - LEFT SIDE



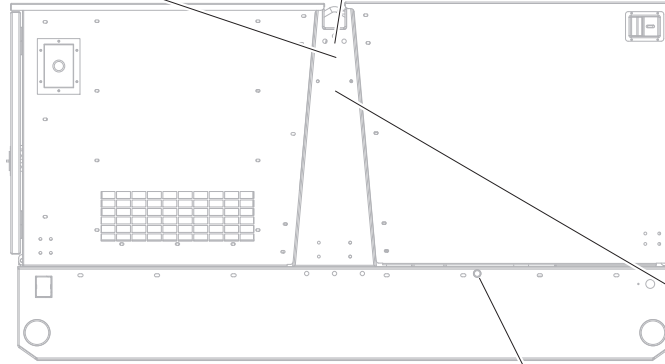
01406

Note: All safety and operating decals are located on decal sheet 23599, unless otherwise noted.

UNIT DECALS - RIGHT SIDE

PN: 26286
Decal, Hood Service

Patented US 7,642,665 B2
PN: 24942
Decal, Patented
7,642,665, B2



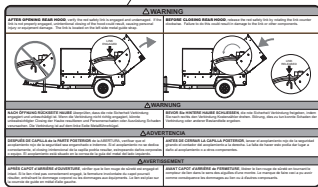
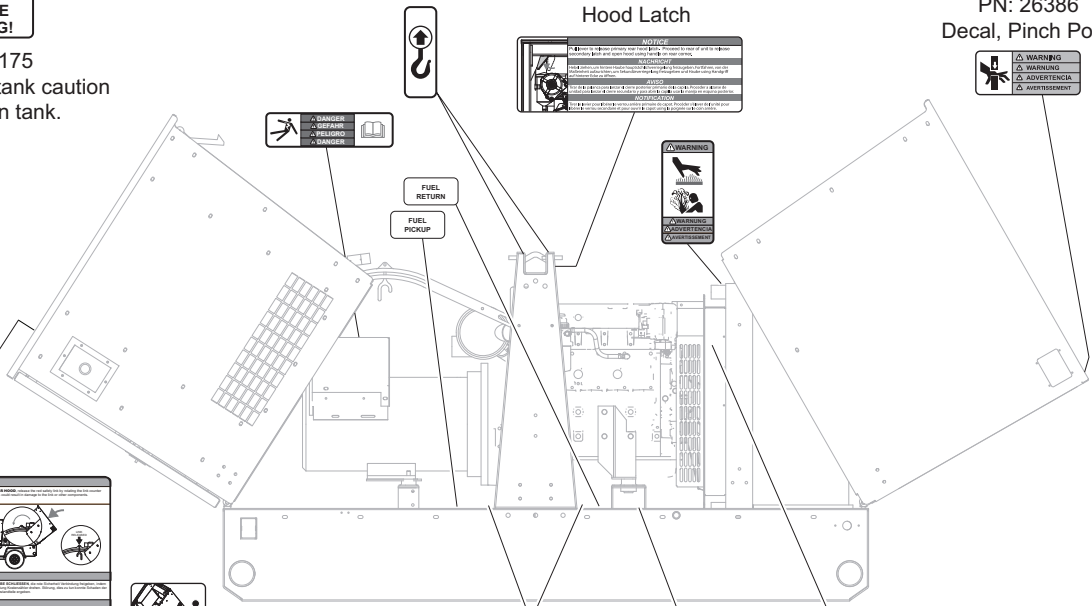
1/2" NPT ENGINE COOLANT DRAIN



PN: 30175
Decal, UN31A tank caution
Located on tank.

PN: 26387
Decal Set, Rear
Hood Latch

PN: 26386
Decal, Pinch Point



PN: 26387
Decal Set, Rear Hood Latch

PN: 26386
Decal,
Pinch Point



01408

Note: All safety and operating decals are located on decal sheet 23599, unless otherwise noted.

UNIT DECALS - FRONT, BACK & CONTROL PANELS - MMG25FHI, MMG25FHICAN

PN: 26387
Decal Set, Rear
Hood Latch

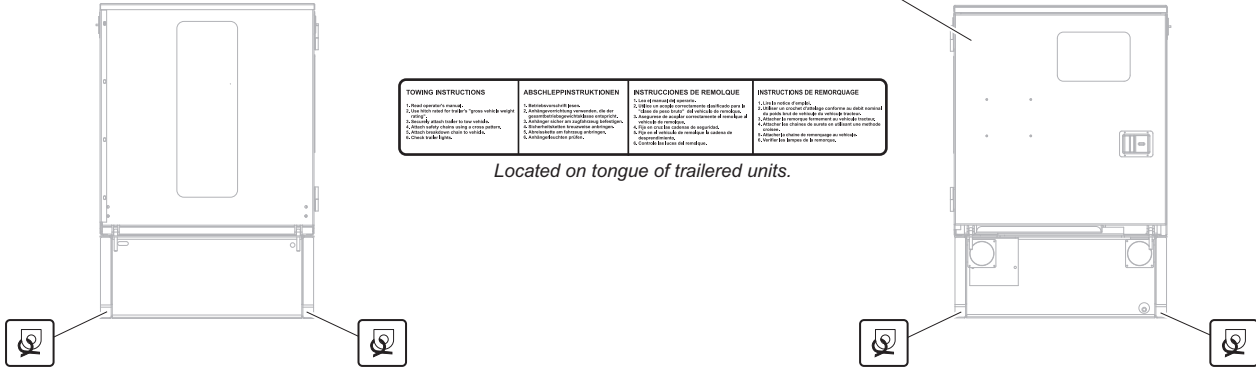
NOTICE
TO OPEN HOOD, release primary latch located under the P1 indicator. Open front hood to access.

NOTICE
POUR OUVRIRE LE CAPOT, libérer le verrou primaire situé sous l'indicateur P1. Ouvrir le capot avant pour accéder à l'intérieur.

NOTIFICATION
POUR OUVRIRE LE CAPOT, libérer le verrou primaire situé sous l'indicateur P1. Ouvrir le capot avant pour accéder à l'intérieur.

TOWING INSTRUCTIONS	ABSCHLEPPINSTRUKTIONEN	INSTRUCCIONES DE REMOLQUE	INSTRUCCIONES DE REMOLQUE
1. Use proper tie-down technique. 2. Do not exceed rated weight. 3. Do not use damaged equipment. 4. Do not use equipment with worn or damaged components. 5. Do not use equipment with damaged or worn components. 6. Do not use equipment with damaged or worn components. 7. Do not use equipment with damaged or worn components. 8. Do not use equipment with damaged or worn components. 9. Do not use equipment with damaged or worn components. 10. Do not use equipment with damaged or worn components.	1. Verwenden Sie die richtige Anbinde-technik. 2. Übersteigen Sie nicht die zulässige Last. 3. Verwenden Sie keine beschädigte Ausrüstung. 4. Verwenden Sie keine Ausrüstung mit abgenutzten oder beschädigten Komponenten. 5. Verwenden Sie keine Ausrüstung mit abgenutzten oder beschädigten Komponenten. 6. Verwenden Sie keine Ausrüstung mit abgenutzten oder beschädigten Komponenten. 7. Verwenden Sie keine Ausrüstung mit abgenutzten oder beschädigten Komponenten. 8. Verwenden Sie keine Ausrüstung mit abgenutzten oder beschädigten Komponenten. 9. Verwenden Sie keine Ausrüstung mit abgenutzten oder beschädigten Komponenten. 10. Verwenden Sie keine Ausrüstung mit abgenutzten oder beschädigten Komponenten.	1. Use proper tie-down technique. 2. Do not exceed rated weight. 3. Do not use damaged equipment. 4. Do not use equipment with worn or damaged components. 5. Do not use equipment with damaged or worn components. 6. Do not use equipment with damaged or worn components. 7. Do not use equipment with damaged or worn components. 8. Do not use equipment with damaged or worn components. 9. Do not use equipment with damaged or worn components. 10. Do not use equipment with damaged or worn components.	1. Utilice la técnica correcta de amarre. 2. No exceda el peso máximo autorizado. 3. No utilice equipo dañado. 4. No utilice equipo con componentes desgastados o dañados. 5. No utilice equipo con componentes desgastados o dañados. 6. No utilice equipo con componentes desgastados o dañados. 7. No utilice equipo con componentes desgastados o dañados. 8. No utilice equipo con componentes desgastados o dañados. 9. No utilice equipo con componentes desgastados o dañados. 10. No utilice equipo con componentes desgastados o dañados.

Located on tongue of trailered units.



OPERATING INSTRUCTIONS

- READ OPERATOR'S MANUAL.
- READ LABELS.
- READ MANUAL.
- CHECK ALL FLUID LEVELS.

MANUAL START

- DISCONNECT EXTERNAL LOADS.
- LOCK SELECTOR SWITCH TO "MANUAL" POSITION.
- PUSH ENGINE START SWITCH TO "START" POSITION.
- REMOVE THE HAND ATTEMPT TO START.

ENGINE START

- SEE OPERATOR'S MANUAL.
- DISCONNECT EXTERNAL LOADS.
- PUSH ENGINE START SWITCH TO "STOP" POSITION.
- FILL FUEL TANK.

OPERATIONS PARA LA PUERTA EN MARCHA

- LEER EL MANUAL DEL OPERADOR.
- LEER LAS ETIQUETAS.
- LEER EL MANUAL.
- COMPROBAR LOS NIVELES DE LOS FLUIDOS.

MANUAL START

- DESCONECTAR LAS CARGAS EXTERNAS.
- MOVILIZAR LA LLAVE SELECCION DE VOLTAJE A LA POSICION "MANUAL".
- OPRESIONAR EL BOTON DE ARRANQUE DEL MOTOR.
- REMOVER LA MANO DEL BOTON DE ARRANQUE DEL MOTOR.

ARRANQUE DEL MOTOR

- VER EL MANUAL DEL OPERADOR.
- DESCONECTAR LAS CARGAS EXTERNAS.
- OPRESIONAR EL BOTON DE ARRANQUE DEL MOTOR.
- LEER LA TABLA DE CONVERSIONES.

WARNING
NEVER CHANGE SWITCH POSITION WITH ENGINE RUNNING. RESULTS IN DAMAGE TO MACHINE.

ADVERTENCIA
NUNCA CAMBIE LA POSICION DEL INTERRUPTOR AL ESTAR MARCHANDO EL MOTOR. SE PUEDE CAUSAR DAÑO EN LA MAQUINA.

AVERTISSEMENT
NE JAMAIS CHANGER LA POSITION DE L'INTERUPTEUR PENDANT QUE LE MOTEUR EST EN MARCHÉ. IL POURRAIT EN RÉSULTER UN RISQUE DE DOMMAGES À LA MACHINE.

PN: 23827
Decal,
Controller
Switches

STARTING THE GENERATOR
COMANDO DEL GENERADOR
COMMENCER LE GENERATEUR

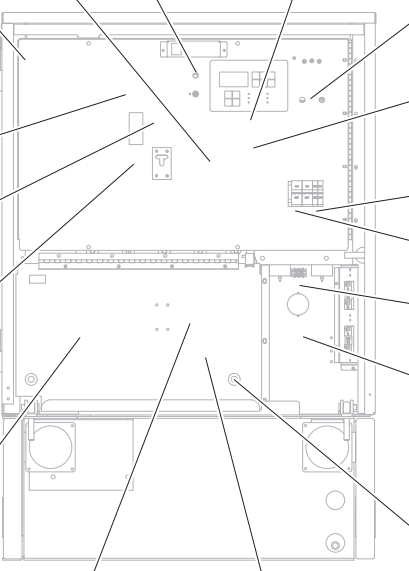
- TURN CONTROL SWITCH "ON"
- PUSH "ENGINE START"

STOPPING THE GENERATOR
PARADA DEL GENERADOR
ARRÊT DU GENERATEUR

- PUSH "ENGINE STOP"
- TURN CONTROL SWITCH "OFF"

PN: 23846
Decal, Controller
Start Instructions

PN: 27733
Decal, Interior Light
Switch Option



NEUTRAL BONDED TO FRAME
CONTACTO NEUTRO CONECTADO A CHASIS
CONTACTO NEUTRO CONECTADO A CHASIS

OPERATOR'S MANUAL MUST BE STORED IN MACHINE. SEE ACCESSORY OPERATOR'S MANUAL. CAN BE ORDERED THROUGH LOCAL BANNER DISTRIBUTOR.
EL MANUAL DE OPERACIONES DEBE SER RETENIDO EN LA MAQUINA. CONSULTAR EL MANUAL DE OPERACIONES DE LA MAQUINA PARA OBTENER MAS INFORMACION.
LE MANUEL DE L'OPERATION DOIT ÊTRE GARDÉ DANS LA MACHINE. CONTACTER LE MANUEL DE L'OPERATION POUR OBTENIR PLUS D'INFORMATIONS.

Located on
Manual Holder.

CAUTION
Not for use when generator is operated at 480 volts.

PN: 22870
Decal, Caution for 480V CSA

DANGER
NEVER CHANGE SWITCH POSITION WITH ENGINE RUNNING. RESULTS IN DAMAGE TO MACHINE.

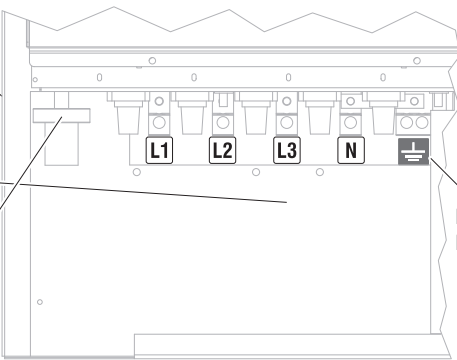
ADVERTENCIA
NUNCA CAMBIE LA POSICION DEL INTERRUPTOR AL ESTAR MARCHANDO EL MOTOR. SE PUEDE CAUSAR DAÑO EN LA MAQUINA.

AVERTISSEMENT
NE JAMAIS CHANGER LA POSITION DE L'INTERUPTEUR PENDANT QUE LE MOTEUR EST EN MARCHÉ. IL POURRAIT EN RÉSULTER UN RISQUE DE DOMMAGES À LA MACHINE.

DANGER
NEVER CHANGE SWITCH POSITION WITH ENGINE RUNNING. RESULTS IN DAMAGE TO MACHINE.

ADVERTENCIA
NUNCA CAMBIE LA POSICION DEL INTERRUPTOR AL ESTAR MARCHANDO EL MOTOR. SE PUEDE CAUSAR DAÑO EN LA MAQUINA.

AVERTISSEMENT
NE JAMAIS CHANGER LA POSITION DE L'INTERUPTEUR PENDANT QUE LE MOTEUR EST EN MARCHÉ. IL POURRAIT EN RÉSULTER UN RISQUE DE DOMMAGES À LA MACHINE.



PN: 12142
Decal, Ground

120V 1Ø 240V 2Ø 120V 3Ø 208V 3Ø 277V 4Ø 480V 3Ø

PN: 30496 Decal, 3 Pos Phase Switch

120V 3Ø 240V Δ 120V 3Ø 208V 3Ø 277V 4Ø 3Ø 120V 240V 1Ø

PN: 30093 Decal, 4 Pos Phase Switch Option

Located behind lug box door.

Note: All safety and operating decals are located on decal sheet 23599, unless otherwise noted.

UNIT DECALS - FRONT, BACK & CONTROL PANELS - MMG25FHICAN6

PN: 26387
Decal Set, Rear
Hood Latch

NOTICE
TO OPEN HOOD - Release primary latch located under the lift indicator. Open hood handle to activate.

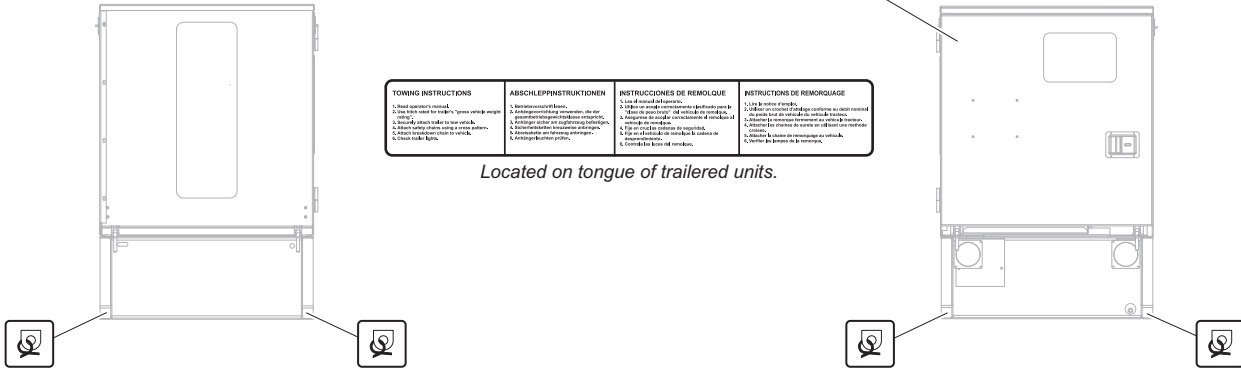
WICHTIG!
BEI HOOD OUFENHALTEN - Drücken Sie den primären Verschluss unter dem Hebe-Indikator. Drücken Sie die Handgriffe des Aufhängers, um die Abdeckung zu öffnen.

AVVERTENZE
PER APRIRE IL COPERCHIO - Rilasciare il primo serrachiusura sotto l'indicatore di sollevamento. Premere i maniglie della maniglia per aprire il coperchio.

NOTIFICATION
POUR OUVRIRE LE COUVERCLE - Relâchez le premier verrou sous l'indicateur de levage. Appuyez sur les poignées de la manette pour ouvrir le couvercle.

<p>TORNING INSTRUCTIONS</p> <ol style="list-style-type: none"> 1. Read operator's manual. 2. Use 200 lb (90 kg) force for handle "open" versus 50 lb (22 kg) force for handle "close" to avoid damage. 3. Do not use excessive force. 4. Do not use force to pry open or close the handle. 5. Do not use force to pry open or close the handle. 	<p>ABSCHLEPPINSTRUKTIONEN</p> <ol style="list-style-type: none"> 1. Lesen Sie das Bedienhandbuch. 2. Benutzen Sie 200 lb (90 kg) Kraft für den "Offen"-Hebel und 50 lb (22 kg) Kraft für den "Zu"-Hebel, um Beschädigungen zu vermeiden. 3. Verwenden Sie keine übermäßige Kraft. 4. Verwenden Sie keine Kraft, um den Hebel zu hebeln oder zu schließen. 5. Verwenden Sie keine Kraft, um den Hebel zu hebeln oder zu schließen. 	<p>INSTRUCCIONES DE REMOLQUE</p> <ol style="list-style-type: none"> 1. Lea el manual del operador. 2. Utilice 200 lb (90 kg) de fuerza para el "abierto" y 50 lb (22 kg) de fuerza para el "cerrado" para evitar daños. 3. No use fuerza excesiva. 4. No use fuerza para apalancar o cerrar el mecanismo. 5. No use fuerza para apalancar o cerrar el mecanismo. 	<p>ISTRUZIONI DI RIMOVIAMENTO</p> <ol style="list-style-type: none"> 1. Leggere il manuale dell'operatore. 2. Usare 200 lb (90 kg) di forza per il maniglione "aperto" e 50 lb (22 kg) di forza per il maniglione "chiuso" per evitare danni. 3. Non usare forza eccessiva. 4. Non usare la forza per apalancare o chiudere il meccanismo. 5. Non usare la forza per apalancare o chiudere il meccanismo.
---	---	--	---

Located on tongue of trailered units.



OPERATING INSTRUCTIONS

1. Read operator's manual.
2. Use 200 lb (90 kg) force for handle "open" versus 50 lb (22 kg) force for handle "close" to avoid damage.
3. Do not use excessive force.
4. Do not use force to pry open or close the handle.
5. Do not use force to pry open or close the handle.

OPERATING INSTRUCTIONS

1. Read operator's manual.
2. Use 200 lb (90 kg) force for handle "open" versus 50 lb (22 kg) force for handle "close" to avoid damage.
3. Do not use excessive force.
4. Do not use force to pry open or close the handle.
5. Do not use force to pry open or close the handle.

WARNING

NEVER CHANGE SWITCH POSITION WITH ENGINE RUNNING. RESULTS IN DAMAGE TO MACHINE.

AVVERTENZE

NEVER CHANGE SWITCH POSITION WITH ENGINE RUNNING. RESULTS IN DAMAGE TO MACHINE.

ADVERTENCIA

NE JAMÁS CAMBIE LA POSICIÓN DEL INTERRUPTOR AL ESTAR MARCHANDO EL MOTOR. SE PUEDE DAÑAR LA MÁQUINA.

AVERTISSEMENT

NE JAMAIS CHANGER LA POSITION DE L'INTERRUPTEUR PENDANT QUE LE MOTEUR EST EN MARCHÉ. IL POURRAIT EN RESULTER DES DOMMAGES À LA MACHINE.

PN: 23827
Decal, Controller
Switches

STARTING THE GENERATOR
DAS STARTEN DES GENERATORS
COMIENZANDO EL GENERADOR
COMBENCIMENT DU GENERATEUR

1. TURN CONTROL SWITCH "ON"
2. PUSH "ENGINE START"

STOPPING THE GENERATOR
DAS STOPPEN DES GENERATORS
PARAR EL GENERADOR
ARRÊT DU GENERATEUR

1. PUSH "ENGINE STOP"
2. TURN CONTROL SWITCH "OFF"

PN: 23846
Decal, Controller
Start Instructions

PN: 27733
Decal, Interior Light
Switch Option

PN: 34425
Decal, Terminal
Connections - 600V

WARNING

NEVER CHANGE SWITCH POSITION WITH ENGINE RUNNING. RESULTS IN DAMAGE TO MACHINE.

AVVERTENZE

NEVER CHANGE SWITCH POSITION WITH ENGINE RUNNING. RESULTS IN DAMAGE TO MACHINE.

ADVERTENCIA

NE JAMÁS CAMBIE LA POSICIÓN DEL INTERRUPTOR AL ESTAR MARCHANDO EL MOTOR. SE PUEDE DAÑAR LA MÁQUINA.

AVERTISSEMENT

NE JAMAIS CHANGER LA POSITION DE L'INTERRUPTEUR PENDANT QUE LE MOTEUR EST EN MARCHÉ. IL POURRAIT EN RESULTER DES DOMMAGES À LA MACHINE.

L1 L2 L3

CAUTION

Do not use 120V GFCI outlets when generator at 480 or 600 volts. Equipment damage or personal injury may result.

AVVERTENZE

Do not use 240V GFCI outlets when generator at 480 or 600 volts. Equipment damage or personal injury may result.

NEUTRAL BONDED TO FRAME
NEUTRAL BONDADO AL CHASIS
NEUTRAL BONDED TO CHASSIS

20A

50A

Located on
Manual Holder.

CAUTION

Do not use 120V GFCI outlets when generator at 480 or 600 volts. Equipment damage or personal injury may result.

AVVERTENZE

Do not use 240V GFCI outlets when generator at 480 or 600 volts. Equipment damage or personal injury may result.

PN: 34275
Decal, Caution
- 120V & 240V Outlets

PN: 34424
Decal Set, Voltage
Selector Switch

240V 208V 480V 600V

DANGER

NEVER CHANGE SWITCH POSITION WITH ENGINE RUNNING. RESULTS IN DAMAGE TO MACHINE.

AVVERTENZE

NEVER CHANGE SWITCH POSITION WITH ENGINE RUNNING. RESULTS IN DAMAGE TO MACHINE.

ADVERTENCIA

NE JAMÁS CAMBIE LA POSICIÓN DEL INTERRUPTOR AL ESTAR MARCHANDO EL MOTOR. SE PUEDE DAÑAR LA MÁQUINA.

AVERTISSEMENT

NE JAMAIS CHANGER LA POSITION DE L'INTERRUPTEUR PENDANT QUE LE MOTEUR EST EN MARCHÉ. IL POURRAIT EN RESULTER DES DOMMAGES À LA MACHINE.

PN: 34425
Decal, Terminal
Connections - 600V

WARNING

NEVER CHANGE SWITCH POSITION WITH ENGINE RUNNING. RESULTS IN DAMAGE TO MACHINE.

AVVERTENZE

NEVER CHANGE SWITCH POSITION WITH ENGINE RUNNING. RESULTS IN DAMAGE TO MACHINE.

ADVERTENCIA

NE JAMÁS CAMBIE LA POSICIÓN DEL INTERRUPTOR AL ESTAR MARCHANDO EL MOTOR. SE PUEDE DAÑAR LA MÁQUINA.

AVERTISSEMENT

NE JAMAIS CHANGER LA POSITION DE L'INTERRUPTEUR PENDANT QUE LE MOTEUR EST EN MARCHÉ. IL POURRAIT EN RESULTER DES DOMMAGES À LA MACHINE.

CAUTION

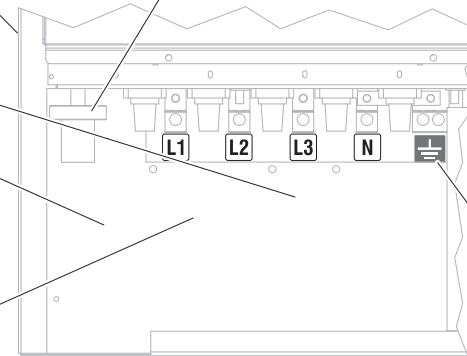
Do not use 120V GFCI outlets when generator at 480 or 600 volts. Equipment damage or personal injury may result.

AVVERTENZE

Do not use 240V GFCI outlets when generator at 480 or 600 volts. Equipment damage or personal injury may result.

PN: 34424
Decal Set, Voltage
Selector Switch

Voltage Selection	Main Voltage	GEN Selector
000 208 3A	208V	3A
400 208 3A	400V	3A
200 120 3A	200V	120V
240 120 3A	240V	120V
240 120 3A	240V	3A

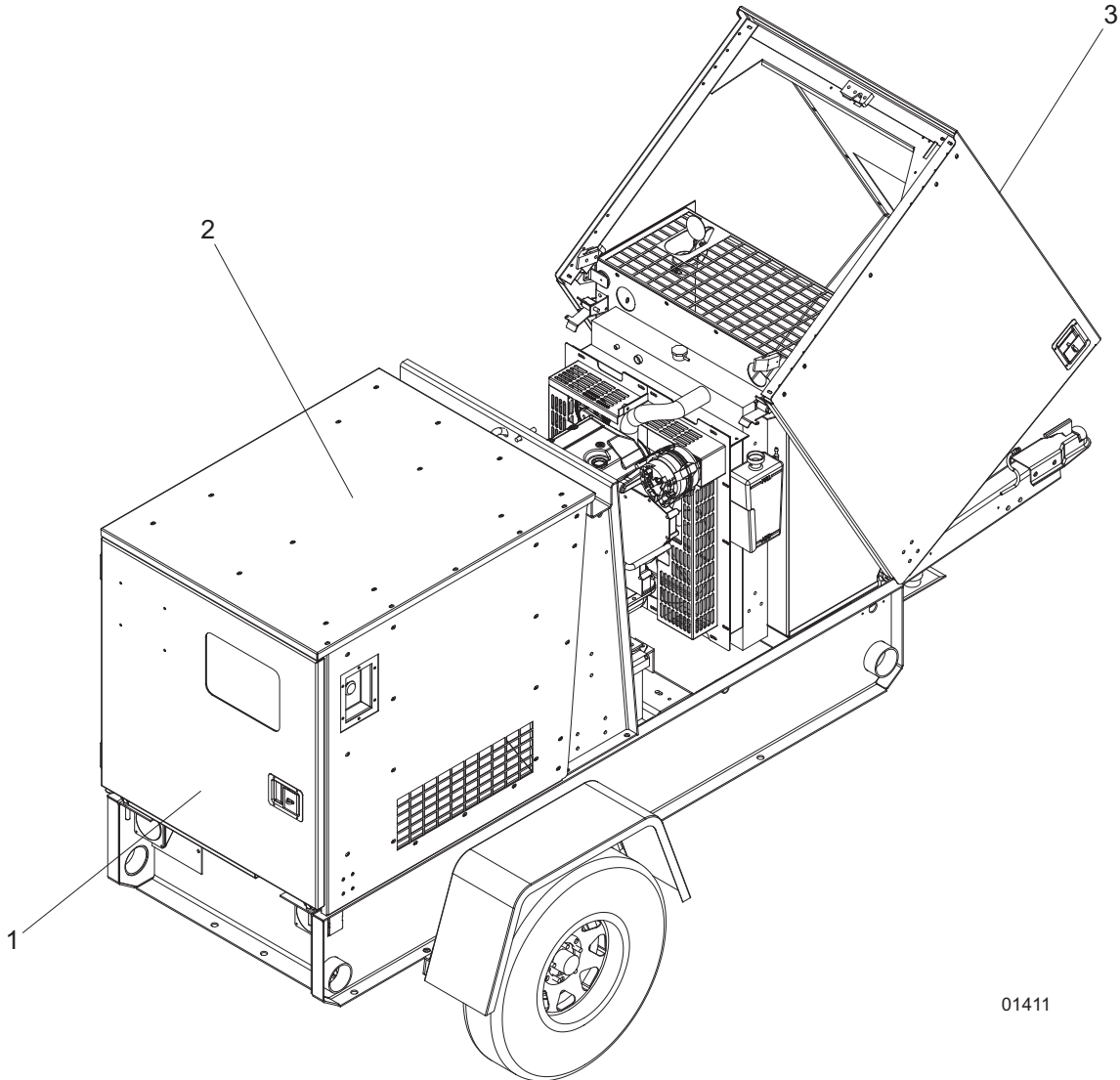


PN: 12142
Decal, Ground

01410

Note: All safety and operating decals are located on decal sheet 23599, unless otherwise noted.

ENCLOSURE COMPONENTS

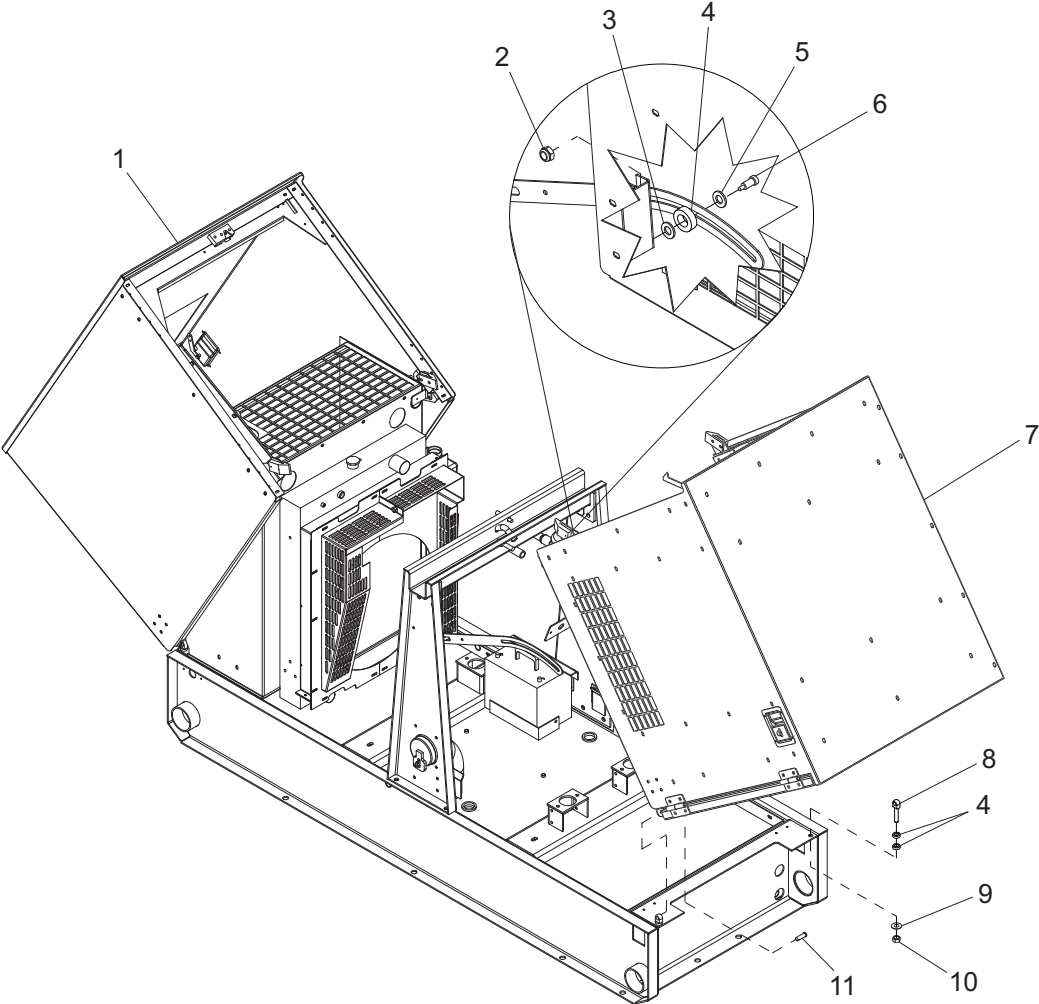


01411

ENCLOSURE COMPONENTS

ITEM	PAGE	QTY	DESCRIPTION	NOTES
1	<i>Page 20</i>	1	Control door assembly	
2	<i>Page 16</i>	1	Rear hood assembly	
3	<i>Page 12</i>	1	Front hood assembly	

HOODS TO SKID ASSEMBLY

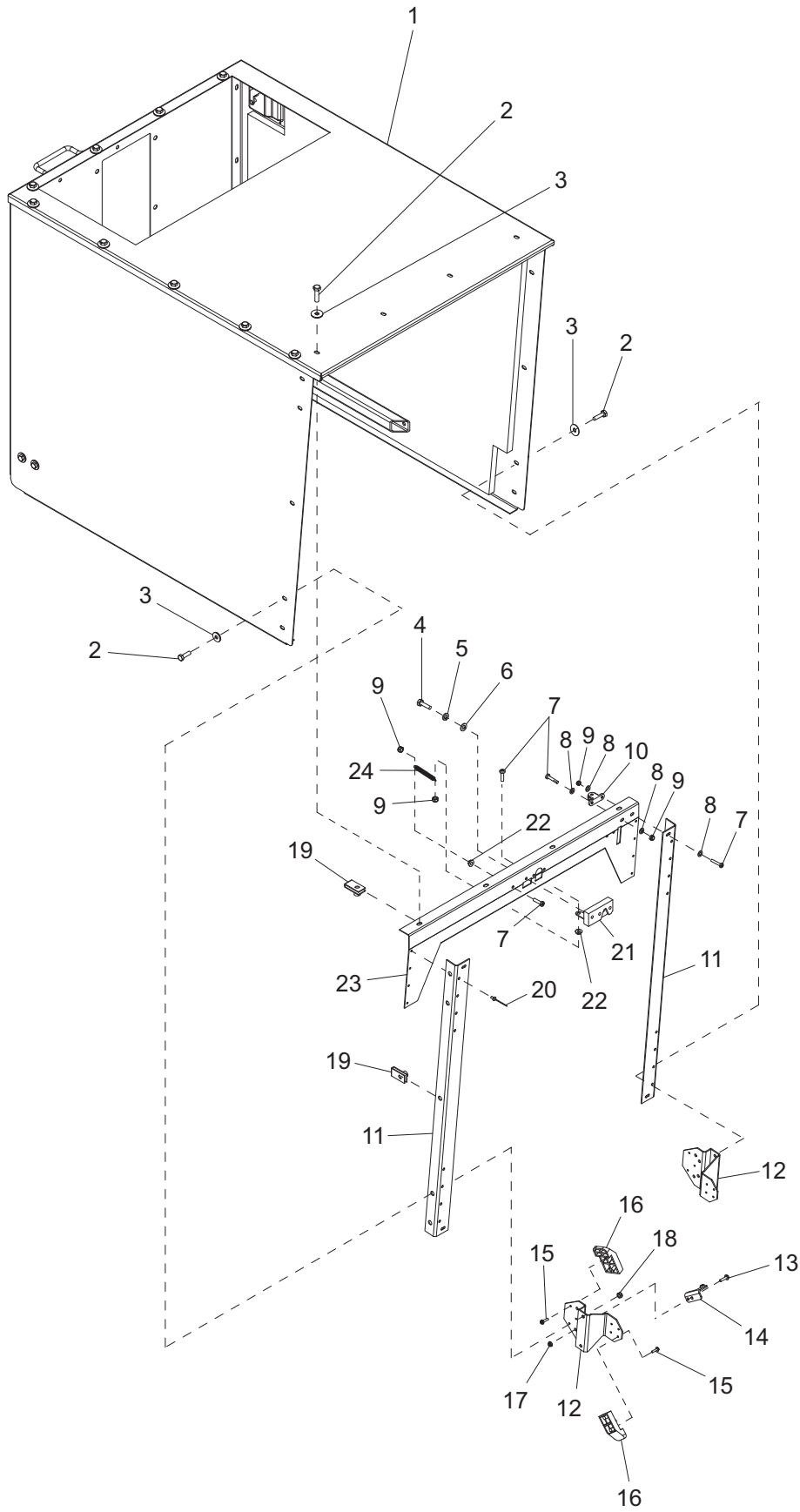


01412

HOODS TO SKID ASSEMBLY

ITEM	PART	QTY	DESCRIPTION	NOTES
1	Page 12	1	Assembly, front hood	
2	60784	2	Nut, .312-18 nylock, SS	
3	60696	2	Washer, .250 flat .625/.050, SS	
4	24748B	10	Spacer, rod end	
5	60698	2	Washer, .375 flat .875/.040, SS	
6	61126	1	Screw, shoulder, .375x.750 soc hex - left	
	61062	1	Screw, shoulder, .375x.625 soc hex - right	
7	Page 16	1	Assembly, rear hood	
8	60989	4	Bolt, rod end	
9	60702	4	Washer, .500 split lock, SS	
10	60681	4	Nut, .500-13 hex, SS	
11	63272	4	Pin, clevis - .500 dia. x 1.25	

FRONT HOOD ASSEMBLY (1 OF 2)

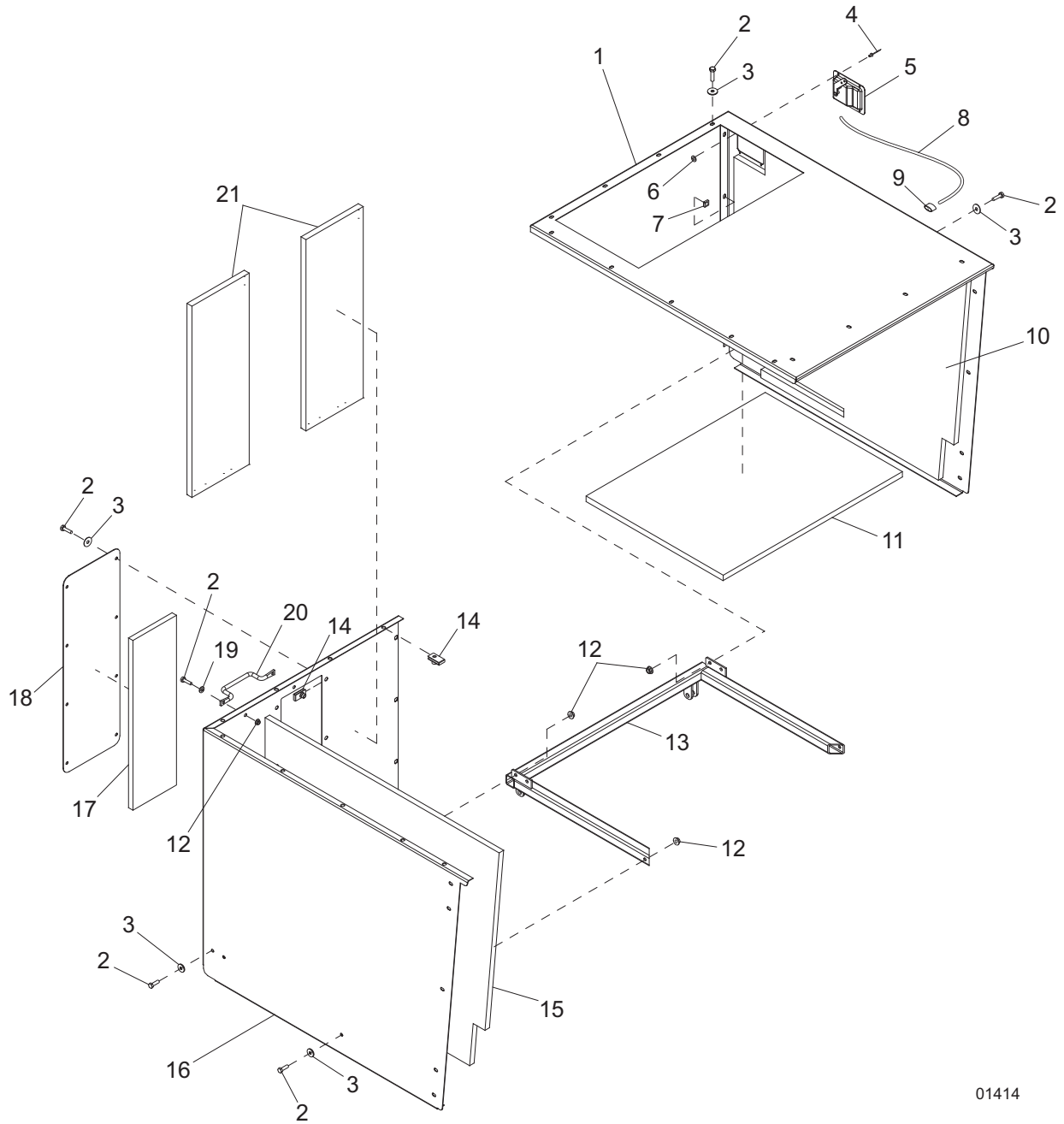


01413

FRONT HOOD ASSEMBLY (1 OF 2)

ITEM	PART	QTY	DESCRIPTION	NOTES
1	24208	1	Assembly, front hood	
2	60507	21	Screw, .312-18x1.0 std hex, SS	
3	60452	21	Washer, .313 flat 1.125/1.0 bonded rubber, SS	
4	60393	3	Screw, .250-20x1.0 std hex, G5	
5	60286	3	Washer, .250 split lock	
6	60243	3	Washer, .250 flat .735/.060	
7	60062	4	Screw, 10-32x.750 pan phil, G2	
8	60067	4	Washer, #10 flat .435/.060, SS	
9	60061	4	Nut, 10-32 nylock	
10	24441	1	Pulley, cable - .750 in	
11	24218B	2	Bracket, side sealing	
12	24538B	2	Weldment, front alignment bracket	
13	60479	4	Screw, .250-20x1.0 sflg hex, G5	
14	24539ZC	2	Bracket, front hood stop	
15	60426	8	Screw, 8-18x.750 flg hex, G2	
16	30249	4	Shoe, hood guide - molded	
17	60161	4	Nut, .250-20 sflg, G5	
18	60303	4	Nut, .312-18 nylock, G2	
19	60505	15	Nut, .312-18 U-clip - long type	
20	60268	8	Rivet, .188 dia. x .126 to .250 grip, SS	
21	26287	1	Latch, remote, right - w/spring return	
22	61045	2	Nut, 10-32 sflg	
23	24219B	1	Bracket, top sealing	
24	26162	1	Spring, .250x1.93	

FRONT HOOD ASSEMBLY (2 OF 2)

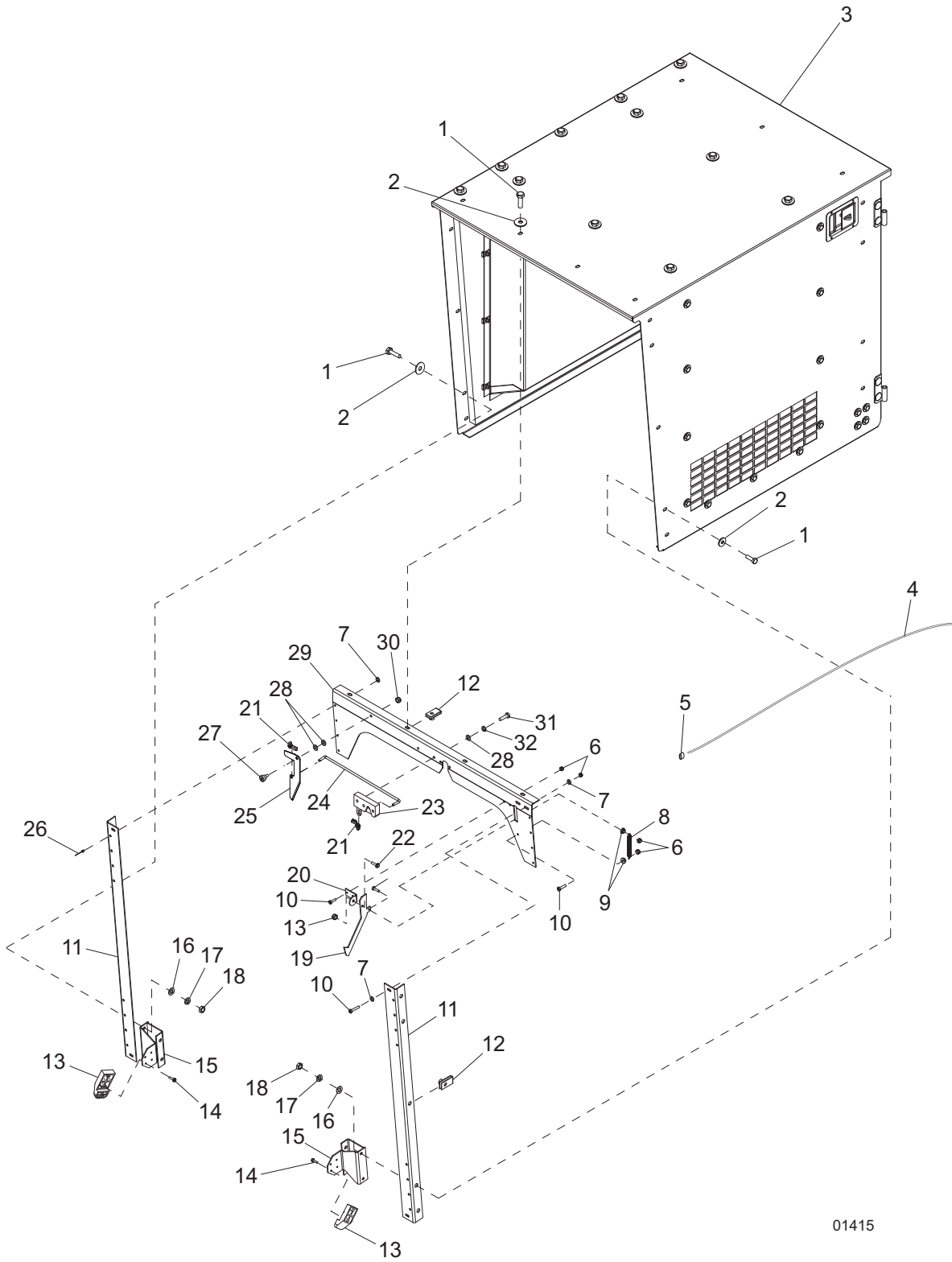


01414

FRONT HOOD ASSEMBLY (2 OF 2)

ITEM	PART	QTY	DESCRIPTION	NOTES
1	24206W	1	Panel, front upper hood	
2	60507	27	Screw, .312-18x1.0 std hex, SS	
3	60452	25	Washer, .313 flat 1.125/1.0 bonded rubber, SS	
4	60268	4	Rivet, .188 dia. x .126 to .250 grip, SS	
5	24676	1	Latch, paddle - w/padlock handle	
6	60041	4	Washer, M5 flat	
7	15425	4	Nut, .312-18 cage	
8	24677	1	Cable, remote latch - 56 in	
9	24678	1	Crimp, cable	
10	26200	1	Foam, front right panel	
11	26203	1	Foam, front top panel	
12	60095	6	Nut, .312-18 sflg	
13	26280B	1	Weldment, front hood hinge	
14	60505	17	Nut, .312-18 U-clip - long type	
15	26201	1	Foam, front left panel	
16	24207W	1	Panel, front side hood	
17	24962	1	Foam, front cutout	
18	24828W	1	Panel, actuator clearance hole	
19	60340	2	Washer, .312 flat .875/.040,SS	
20	26288	1	Handle, front hood access	
21	30163	2	Foam, front panel	
--	24208	1	Assembly, front hood	Items 1 - 21
--	50354	19 ft	Seal, rubber - bubble type	
--	50187	7.83 ft	Seal, door - D-shaped	
--	50197	6.33 ft	Weatherstripping, .06x1.0	

REAR HOOD ASSEMBLY (1 OF 2)

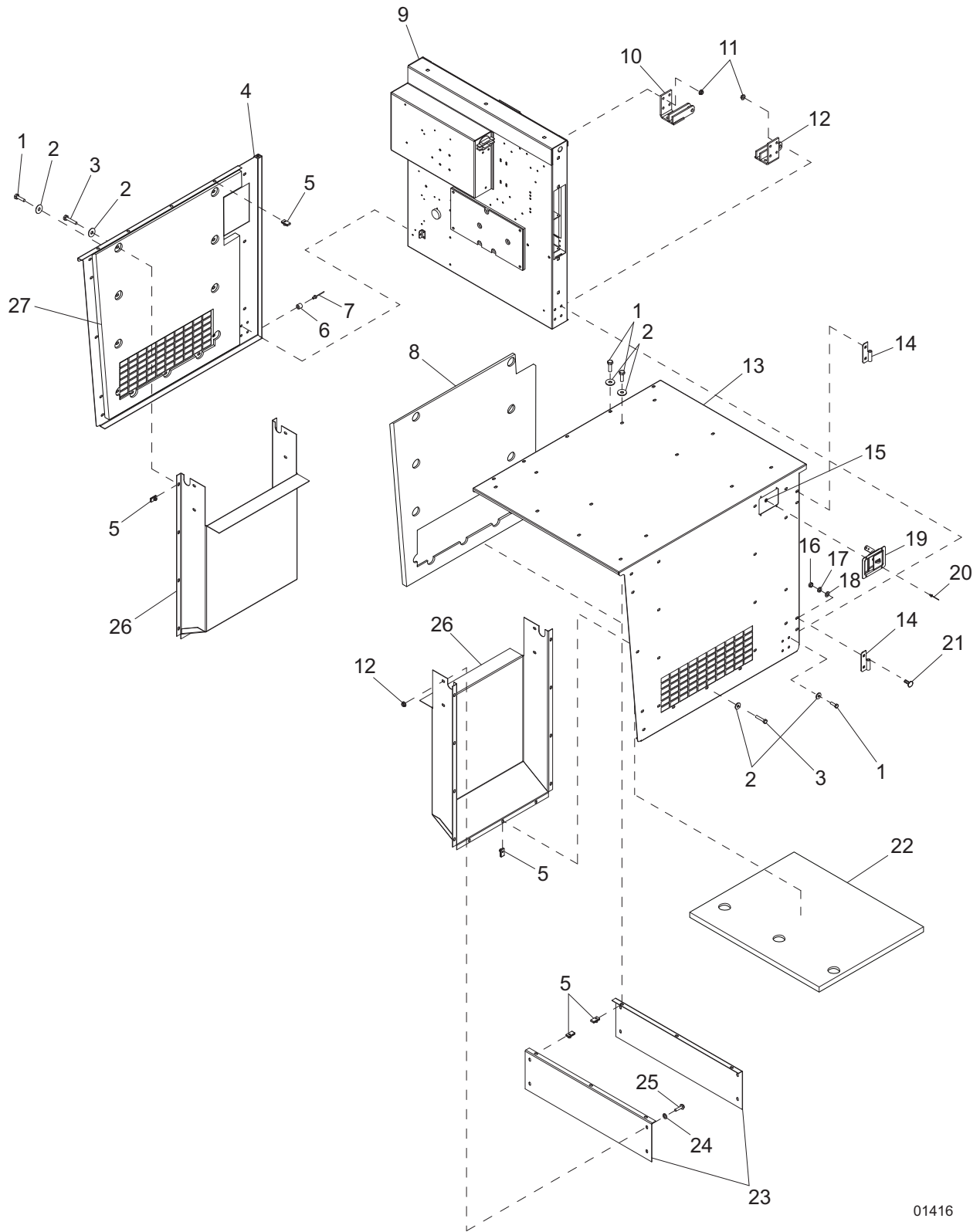


01415

REAR HOOD ASSEMBLY (1 OF 2)

ITEM	PART	QTY	DESCRIPTION	NOTES
1	60507	14	Screw, .312-18x1.0 std hex, SS	
2	60452	14	Washer, .313 flat 1.125/1.0 bonded rubber, SS	
3	<i>Page 18</i>	1	Assembly, rear hood	
4	24677	1	Cable, remote latch - 56 in	
5	24678	1	Crimp, cable	
6	60061	4	Nut, 10-32 nylock	
7	60237	10	Washer, #10 flat .495/.036	
8	26162	1	Spring, .250x1.93 - rear hood	
9	61045	2	Nut, 10-32 sflg	
10	60062	5	Screw, 10-32x.750 pan phil, G2	
11	24218B	2	Bracket, side sealing	
12	60505	10	Nut, .312-18 U-clip - long type	
13	30249	2	Shoe, hood guide - molded	
14	60426	4	Screw, 8-18x.750 flg hex, G2	
15	24450B	2	Weldment, hood locator	
16	60119	2	Washer, .312 flat .875/.070	
17	60271	2	Washer, .312 split lock	
18	60285	2	Nut, .312-18 hex, G2	
19	24850ZC	1	Plate, secondary latch	
20	24822B	1	Bracket, prop rod	
21	23717	2	Clip, rod locking - "L" on flat	
22	60391	1	Screw, .250-20x.625 std hex, G5	
23	26732	1	Latch, remote left - w/spring return	
24	26391Z	1	Rod, inside handle	
25	26390R	1	Handle, inside release	
26	60231	8	Rivet, .188 dia. x .375 to .500 grip range	
27	61138	1	Screw, shoulder, .312x.250 soc hex	
28	60243	7	Washer, .250 flat .735/.060	
29	26978B	1	Bracket, top sealing - rear	
30	60144	2	Nut, .250-20 nylock, G5	
31	30523	3	Screw, .250-20x1.0 std hex, G5	
32	60286	3	Washer, .250 split lock	

REAR HOOD ASSEMBLY (2 OF 2)

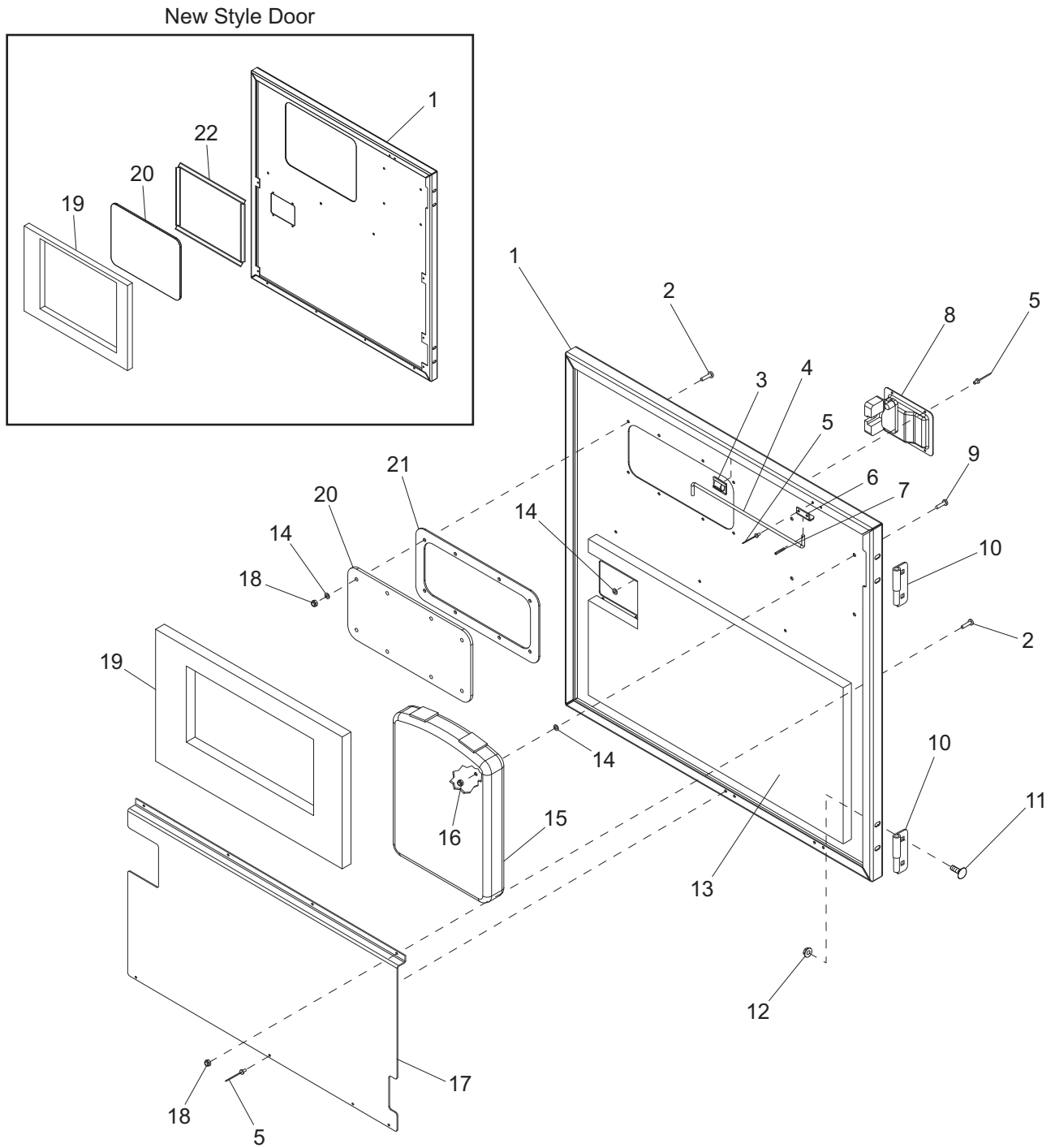


01416

REAR HOOD ASSEMBLY (2 OF 2)

ITEM	PART	QTY	DESCRIPTION	NOTES
1	60507	25	Screw, .312-18x1.0 std hex, SS	
2	60452	47	Washer, .313 flat 1.125/1.0 bonded rubber, SS	
3	61052	22	Screw, .312-18x1.50 std hex, SS	
4	24221W	1	Panel, rear side hood	
5	60505	32	Nut, .312-18 U-clip - long type	
6	15215	1	Rubber bumper	
7	60267	1	Rivet, .125 dia. x .191 to .270 grip, alum	
8	26205	1	Foam, rear left panel	
9	Page 22	1	Assembly, control box	
10	24216B	1	Weldment, hood hinge - right	
11	60095	8	Nut, .312-18 sflg	
12	24217B	1	Weldment, hood hinge - left	
13	24220W	1	Panel, rear upper hood	
14	18462	2	Hinge, right (female)	
15	60041	4	Washer, M5 flat	
16	60285	4	Nut, .312-18 hex, G2	
17	60271	4	Washer, .312 split lock	
18	60243	4	Washer, .250 flat .735/.060 (Was	
19	24676	1	Latch, paddle - w/padlock handle	
20	60268	4	Rivet, .188 dia. x .126 to .250 grip, SS	
21	61066	4	Screw, .312-18x1.0 carr sqr, SS	
22	26206	1	Foam, rear top panel	
23	24262B	2	Panel, rear duct back	
24	60119	8	Washer, .312 flat .875/.070	
25	61061	8	Screw, .312-18x.875 std hex, G5	
26	24261W	2	Panel, rear duct - lower	
27	26204	1	Foam, rear right panel	
--	24222	1	Assembly, rear hood	Items 1 - 27
--	50354	15.83 ft	Seal, rubber - bubble type	
--	50187	6 ft	Seal, door - D-shaped (.750)	
--	19351	1 ft	Seal, U-channel	

CONTROL DOOR ASSEMBLY

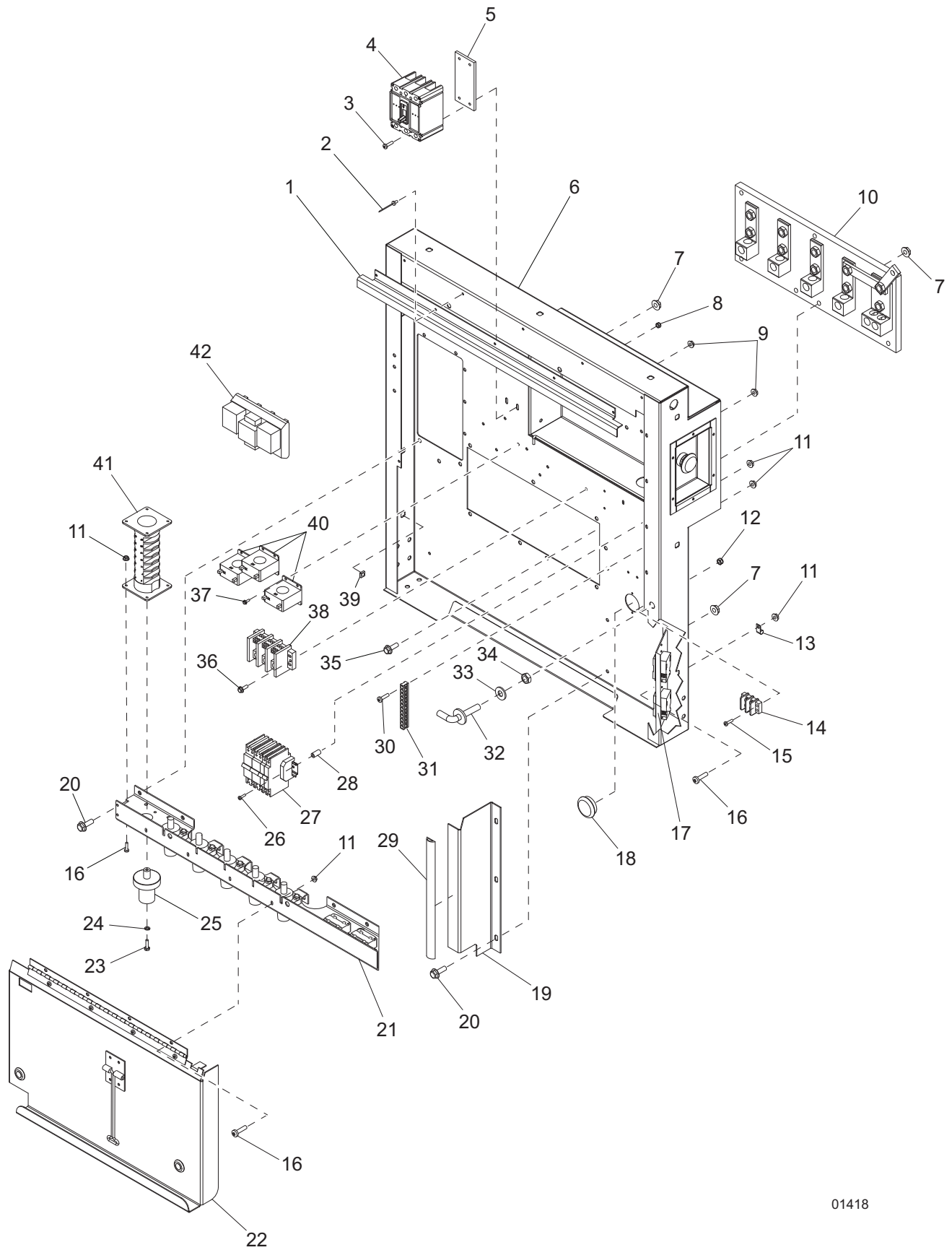


01417

CONTROL DOOR ASSEMBLY

ITEM	PART NO.	QTY	DESCRIPTION	NOTES
1	26275W	1	Door, rear control	Old style
	21448W	1	Door, rear control	New style
2	60850	12	Screw, 10-24x.750 pan phil, G2	
3	61055	1	Clip, rod hold	
4	21370Z	1	Rod, door prop	
5	60268	10	Rivet, .188 dia. x .126 to .250 grip, SS	
6	20916Z	1	Bracket, prop rod	
7	60048	1	Pin, roll .125x.625	
8	23641	1	Latch, rotating element, w/handle	
9	60398	4	Screw, 10-32x.500 pan phil, SS	
10	18459	2	Hinge, right - male	
11	61066	4	Screw, .312-18x1.0 carr sqr, SS	
12	60095	4	Nut, .312-18 sflg	
13	26285	1	Foam, control door - lower	
14	60041	8	Washer, M5 flat	
15	24540	1	Holder, manual (plastic)	
16	60038	4	Nut, M5-.80 nylock, class 6	
17	26276W	1	Panel, door stiffener	
18	60457	12	Nut, 10-24 nylock	
19	24996	1	Foam, control door	Old style
	21577	1	Foam, control door	New style
20	23512	1	Window, control door	Old style
	21477	1	Window, control door	New style
21	23511	1	Gasket, control door	Old style
22	50192	4.6 ft	Tape, .500 in. double sided, type VHB	New style
--	24347	1	Assy, control door	Old style (Items 1 - 23)
--	21428	1	Assy, control door	New style (Items 1-24)

CONTROL BOX ASSEMBLY (1 OF 2)

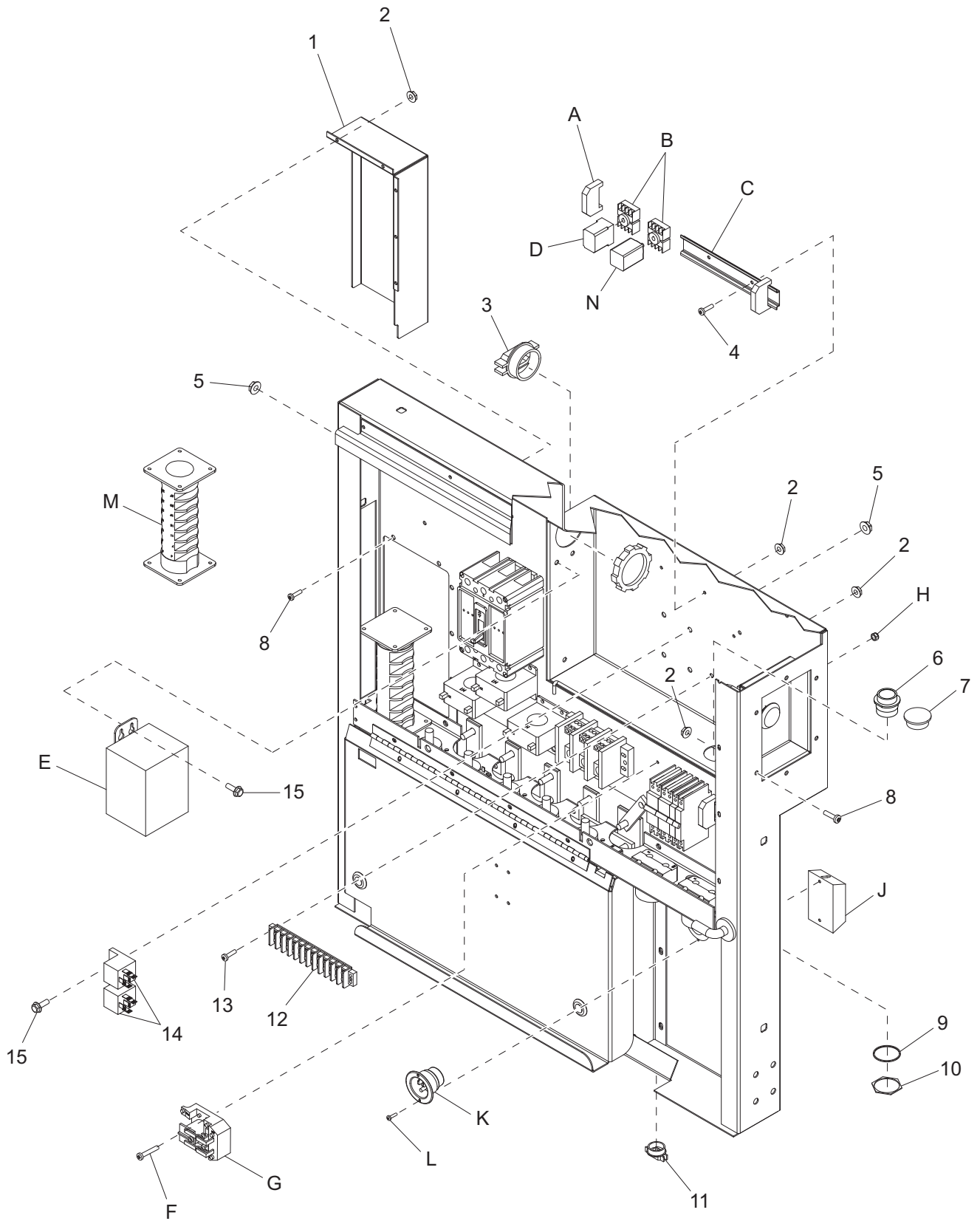


01418

CONTROL BOX ASSEMBLY (1 OF 2)

ITEM	PART	QTY	DESCRIPTION	NOTES
1	24320B	1	Bracket, door seal	
2	60231	5	Rivet, .188 dia. x .375 to .500 grip range	
3	60377	4	Screw, 8-32x1.75 pan phil, G2	
4	65334	1	Breaker, 90A, 3-pole	
5	24373B	1	Plate, breaker mounting	
6	20691B	1	Weldment, control box	Start SN: 1031770
	23583B	1	Weldment, control box	End SN: 1031769
	34279B	1	Weldment, control box, 600V	MMG25FHICAN6 only
7	60095	13	Nut, .312-18 sflg	
8	60270	4	Nut, 8-32 nylock, class 6	
9	60161	14	Nut, .250-20 sflg, G5	
10	Page 28	1	Assembly, lug panel	
11	61045	20	Nut, 10-32 sflg	
12	60290	2	Nut, 6-32 nylock, SS	
13	60375	1	Clamp, tubing - .312 lt duty	
14	18890	1	Block, terminal - 2 pos	
15	60046	2	Screw, 6-32x.750 pan phil, G2	
16	60398	6	Screw, 10-32x.50 pan phil, SS	
17	Page 36	1	Assembly, receptacle panel	
18	61037	1	Plug, 1.75 hole	
19	24317B	1	Panel, lug box side	
20	60114	7	Screw, M8-1.25x20 sflg hex, class 90	
21	Page 34	1	Assembly, cam lock panel	
22	Page 9	1	Assembly, lug door	
23	61079	1	Screw, M3-0.50x12 soc hex, G10.9	
24	60058	1	Washer, #6 split lock	
25	26214	1	Handle, phase switch	
26	60459	2	Screw, 10-32x1.50 pan phil, G2	
27	Page 36	1	Assembly, breaker	
28	24770B	2	Standoff, .50 OD .25 ID, 1 in. long	
29	50187	1 ft	Seal, door - D-shaped	
30	60406	2	Screw, 8-32x1.0 pan phil, G2	
31	14204	1	Kit, ground bar	
32	24043ZC	1	Striker, short pin	
33	24196	1	Washer, striker pin	
34	24046	1	Striker nut, .438-14, G8	
35	60516	3	Screw, .312-18x1.250 sflg hex	
36	60479	2	Screw, .250-20x1.0 sflg hex, G5	
37	60175	12	Screw, .250-20x.500 sflg hex, G5	
38	65356	1	Block, terminal - 3 pole	
39	15425	10	Nut, .312-18 cage	
40	65722	3	Transformer, current	
41	65700	1	Switch, phase - 63A, 3 pos	
--	66959	1	Harness, fusible link, 18 GA	
42	66864	1	Assembly, transformer board	MMG25FHICAN6 only
--	67867	1	Switch, phase, 4 pos. lockable, 300V	MMG25FHICAN6 only
--	67871	1	Wire group, V-Flex	MMG25FHICAN6 only
--	65285	1	Receptacle, 120V/15A inlet	
--	66208	1	Harness, cable	

CONTROL BOX ASSEMBLY (2 OF 2)



01419

CONTROL BOX ASSEMBLY (2 OF 2)

ITEM	PART	QTY	DESCRIPTION	NOTES
1	21405B	1	Cover, phase switch wire	Start SN: 1031770
2	61045	17	Nut, 10-32 sflg	
3	65788	1	Strain relief - 2 in. Romex	
4	60648	2	Screw, 10-32x.500 pan phil, G2	
5	60161	4	Nut, .250-20 sflg, G5	
6	65309	1	Connector, 21 pin, Deutsch	Start SN: 1031770
7	66044	1	Plug, Deutsch hole	Start SN: 1031770
8	60398	11	Screw, 10-32x.500 pan phil, SS	
9	65417	1	Washer, lock, 21-pin Deutsch	Start SN: 1031770
10	65416	1	Nut, Deutsch 21- pin plug	Start SN: 1031770
11	14219	1	Strain relief - .75 Romex	
12	14139	1	Block, terminal - 12 pos	
13	60062	2	Screw, 10-32x.750 pan phil, G2	
14	66455	2	Relay, 12V 70A NC/80A NO - w/diode	
15	60175	4	Screw, .250-20x.500 sflg hex, G5	
--	31877	1	Wire group, control box	

OPTIONAL FEATURES

--	21675	1	Analog gauges - 3 pos
--	21676	1	Analog gauges - 4 pos
--	66332	1	Wiring group, analog/digital add on

Buck Transformer:

A	65674	2	Stop, 35MM din rail end
B	65644	1	Base, relay - 8 pos
C	65673	1	Rail, din - 35 mm x 9.00 in
D	65645	1	Relay, voltage sensing
E	21487	1	Transformer, 1-phase
F	60396	2	Screw, 10-32x1.250 pan phil, G2
G	65461	1	Relay, 30A DPDT, 120VAC
H	60061	2	Nut, 10-32 nylock
--	66340	1	Relay, voltage sensing (132 in/126 out)
--	67084	1	Wire group, buck transformer

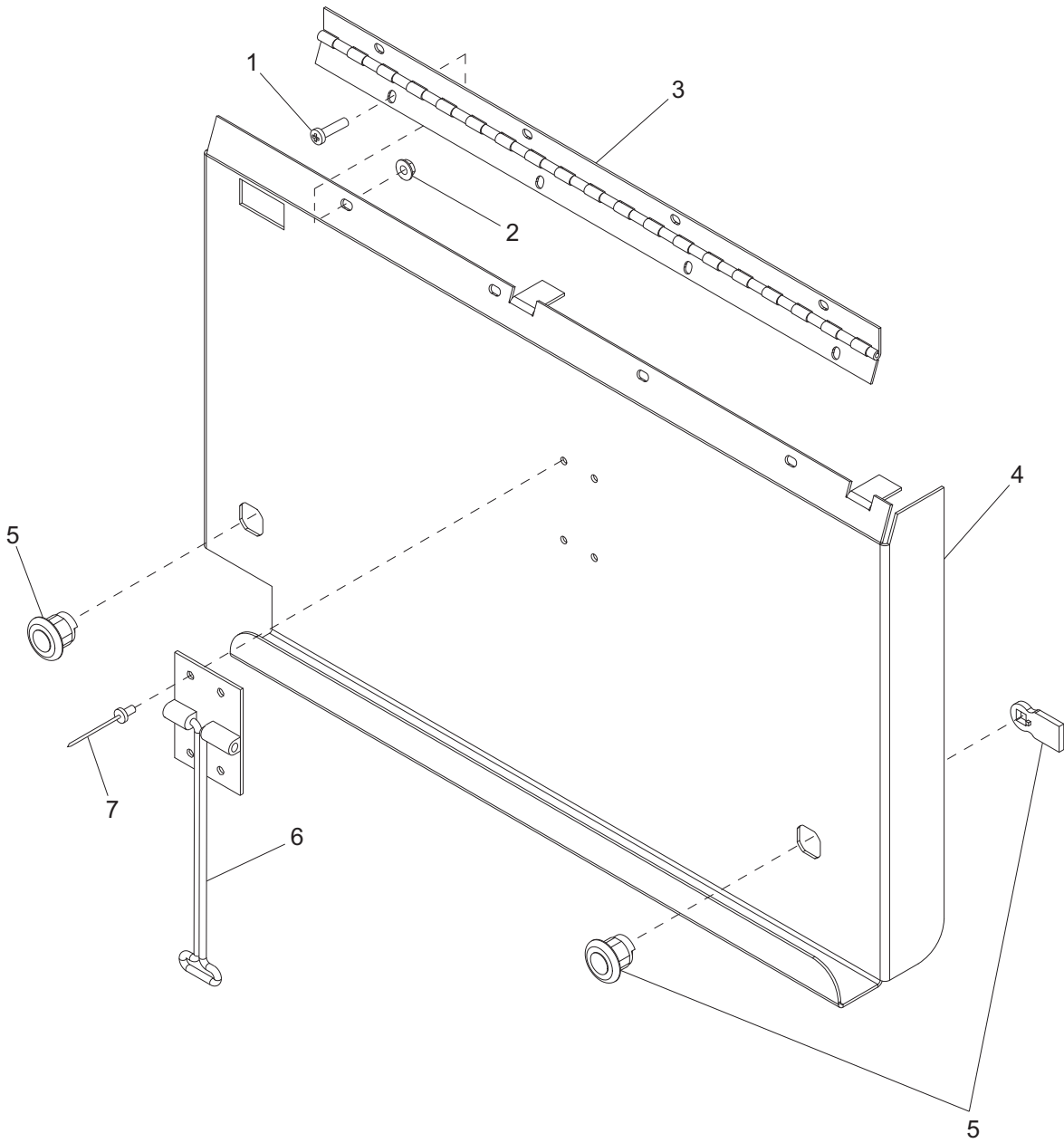
4 Position Switch (MMG25FHI & MMG25FHICAN only):

M	65665	1	Switch, phase - 4 pos
N	65659	1	Relay, DPDT, 12VDC, 8 pos

Battery Charger:

J	65326	1	Charger, battery - 2A, 3 stage
K	65285	1	Receptacle, 120V/15A inlet
L	60480	2	Screw, 10-16x.750 pan phil, G2I
--	21259	1	Decal, battery charger

LUG DOOR ASSEMBLY

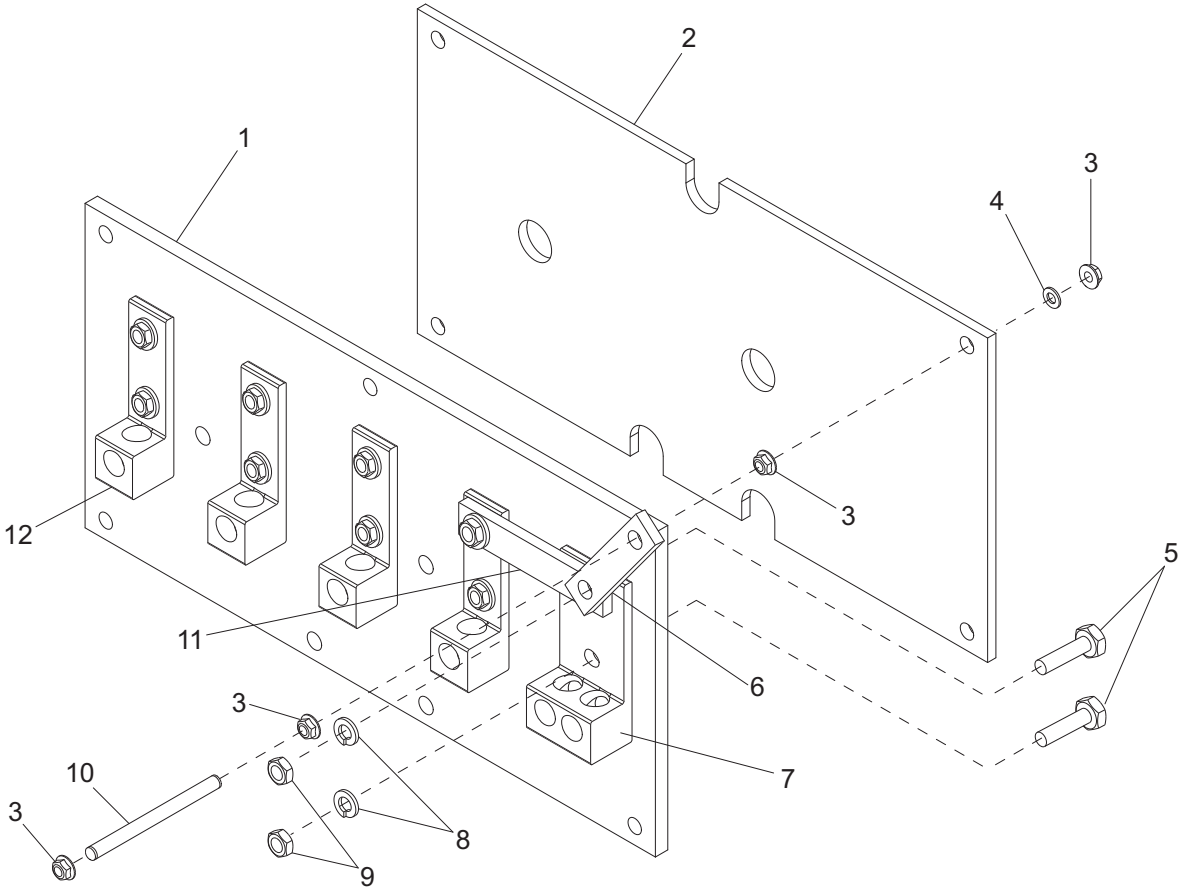


01420

LUG DOOR ASSEMBLY

ITEM	PART	QTY	DESCRIPTION	NOTES
1	60398	4	Screw, 10-32x.50 pan phil, SS	
2	61045	4	Nut, 10-32 sflg	
3	24583	1	Hinge, piano - 18.75 in	
4	24293B	1	Panel, lug door	
5	20762	2	Lock, door - 1/4 turn cam	
6	60652	1	Latch, door	
7	60268	4	Rivet, .188 dia. x .126 to .250 grip, SS	
--	24322	1	Assembly, lug door	Items 1 - 7

LUG PANEL ASSEMBLY

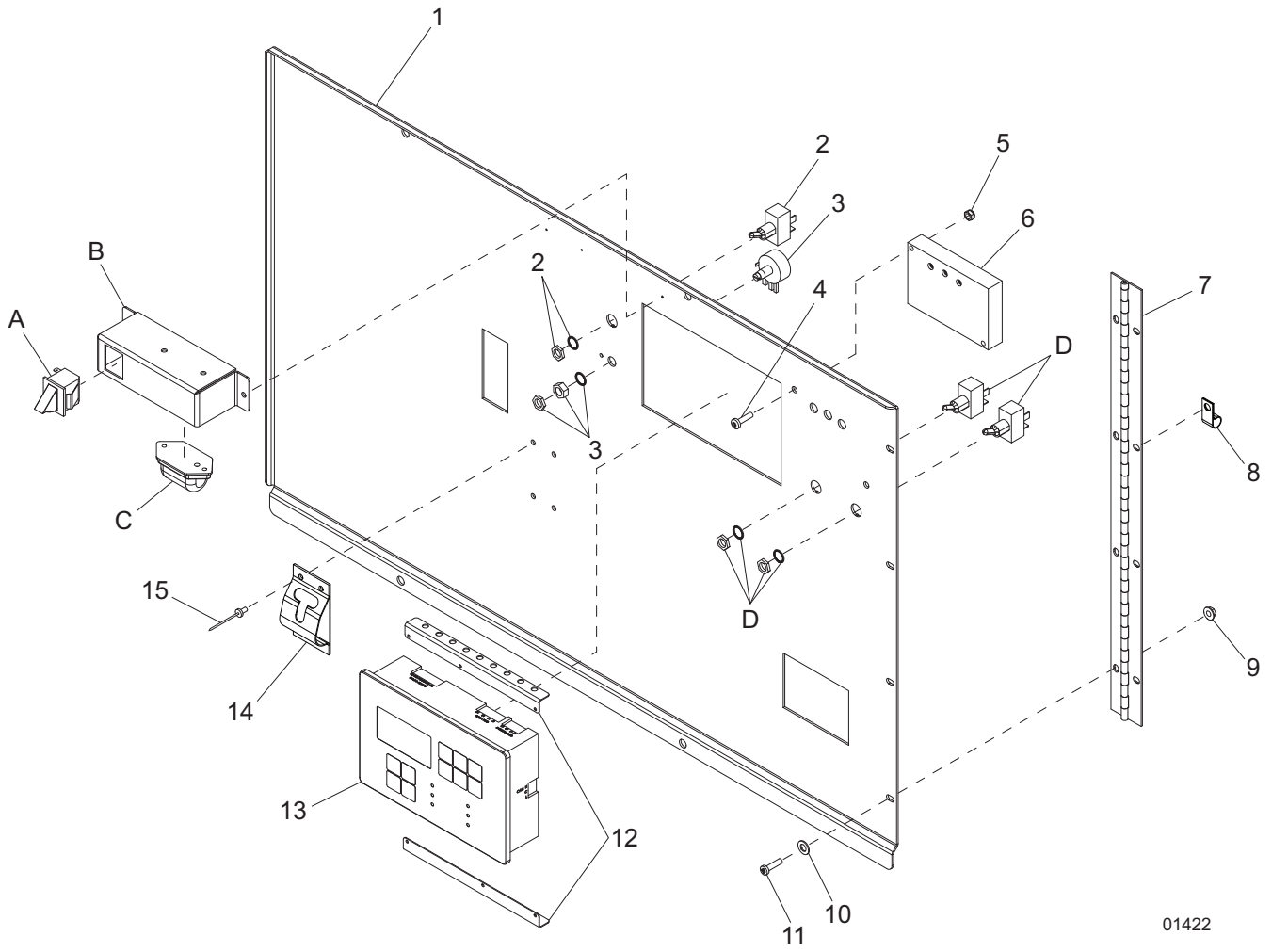


01421

LUG PANEL ASSEMBLY

ITEM	PART	QTY	DESCRIPTION	NOTES
1	24278	1	Panel, glastic lug	
2	24319	1	Plate, glastic cover	
3	60020	4	Nut, M8-1.25 sflg, G8.8	
4	60243	1	Washer, .250 flat .735/.060	
5	61005	10	Screw, .375-16x1.750 flat hex, G5	
6	24820	1	Bus, ground to board	
7	65692	1	Lug, terminal dual	
8	60206	10	Washer, .375 split lock	
9	60140	10	Nut, .375-16 hex, G5	
10	18992	1	Stud, ground	
11	24819	1	Bus, N to ground	
12	65677	4	Lug terminal single	
--	24279	1	Assembly, lug panel	Items 1 - 12

CONTROL PANEL ASSEMBLY



01422

CONTROL PANEL ASSEMBLY

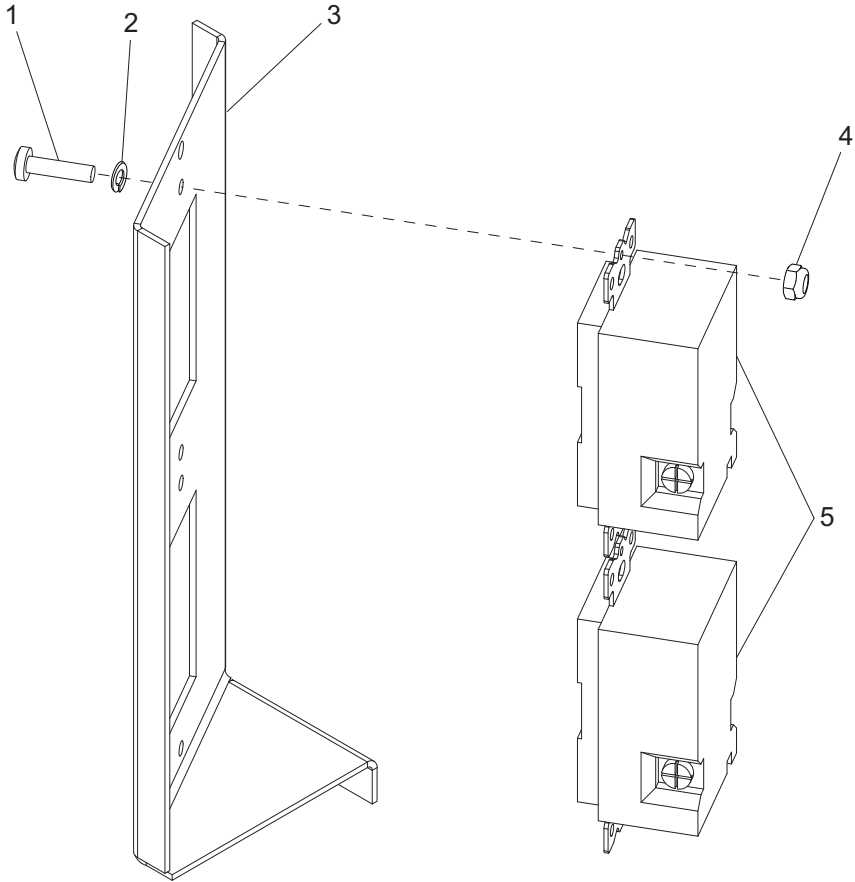
ITEM	PART	QTY	DESCRIPTION	NOTES
1	20724W	1	Panel, control	
2	25077	1	Switch, toggle - SPST 20A VAC	
3	18113	1	Potentiometer, 2.5 k, 2 watt	
4	60397	2	Screw, 10-32x1.0 pan phil, G2	
5	60061	2	Nut, 10-32 nylock	
6	10519	1	Regulator, voltage	
7	18598	1	Hinge, controller panel, 18.75 in	
8	60375	1	Clamp, tubing - .312 lt duty	
9	61045	4	Nut, 10-32 sflg	
10	63219	4	Washer, #10 nylon	
11	60398	4	Screw, 10-32x.500 pan phil, SS	
12	29893	2	Bracket, control board wire guide	
13	66195	1	Controller, engine/generator - programmed	MMG25FHI & MMG25FHICAN
	67957	1	Controller, engine/generator - programmed	MMG25FHICAN6 only
14	60652	1	Latch, door	
15	60268	4	Rivet, .188 dia. x .126 to .250 grip, SS	
--	20723	1	Assembly, digital control panel	Items 1 - 15

OPTIONAL FEATURES

Auxiliary Lighting:

A	12632	1	Switch, trigger safety, NO & NC
B	26093B	1	Bracket, control panel light
C	65393	1	Light, panel
D	25077	2	Switch, toggle

RECEPTACLE PANEL ASSEMBLY

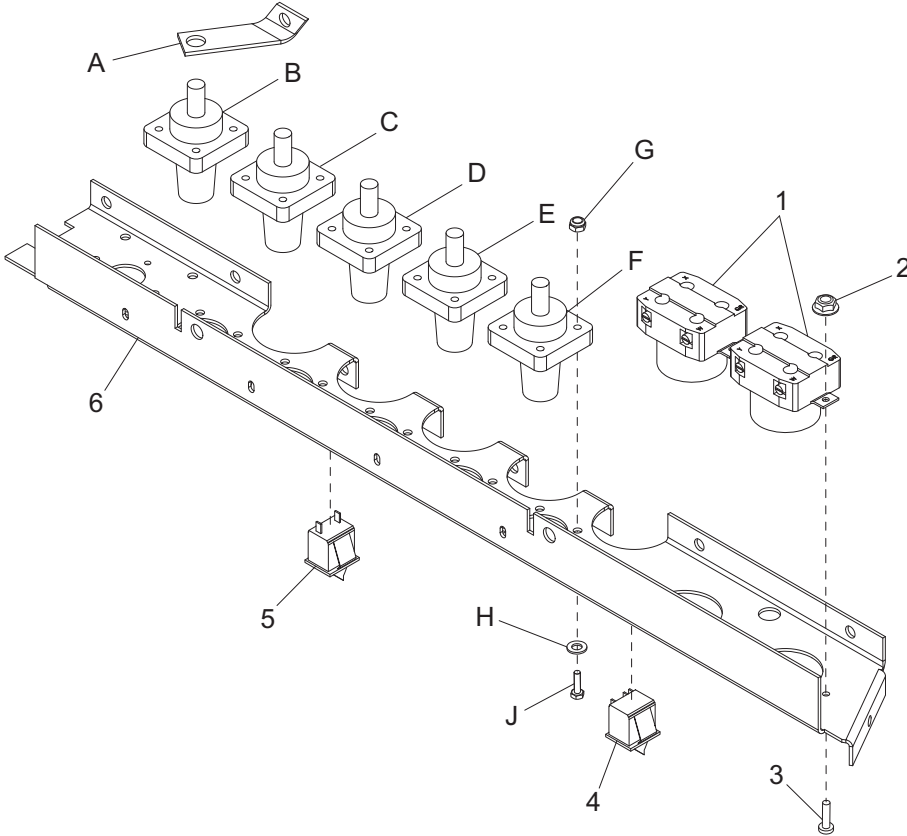


01423

RECEPTACLE PANEL ASSEMBLY

ITEM	PART	QTY	DESCRIPTION	NOTES
1	60044	4	Screw, M5-0.80x12 pan phil, G4.8	
2	60058	4	Washer, #6 split lock	
3	24287W	1	Panel, 120V outlet	
4	60038	4	Nut, M5-.80 nylock, class 6	
5	14130	2	Receptacle, 120V/20A GFI	
--	24288	1	Assembly, receptacle panel	Items 1 - 5

CAM LOCK PANEL ASSEMBLY



01424

CAM LOCK PANEL ASSEMBLY

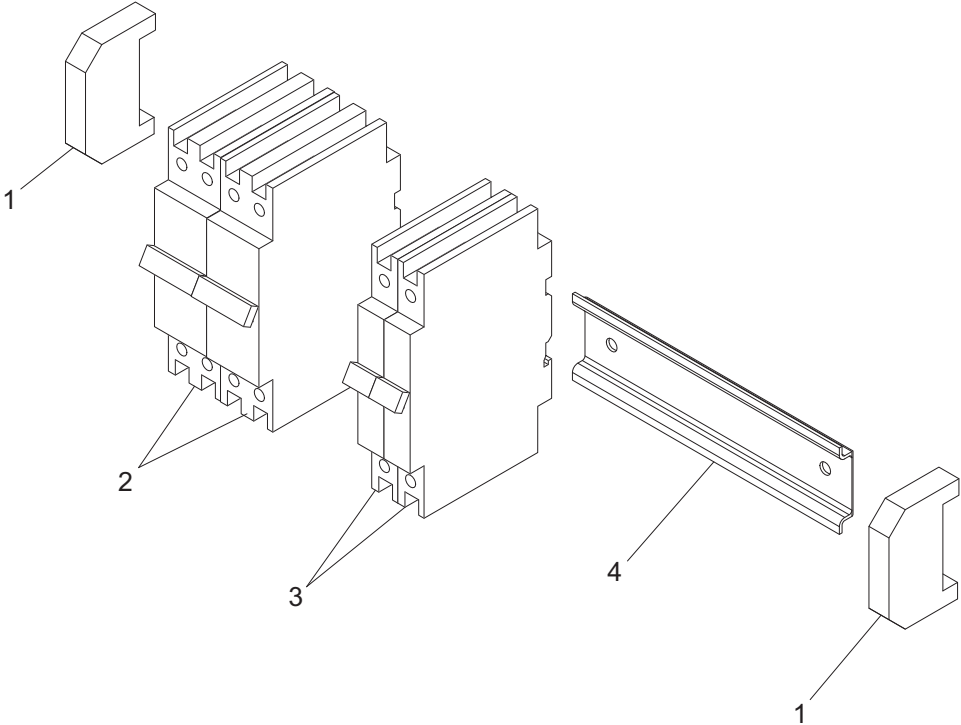
ITEM	PART	QTY	DESCRIPTION	NOTES
1	18089	2	Receptacle, 240V/50A twist-lock	
2	61045	6	Nut, 10-32 sflg	
3	60398	6	Screw, 10-32x.500 pan phil, SS	
4	12632	1	Switch, trigger safety	
5	65830	1	Switch, trigger safety - rear terminals	
6	24264B	1	Panel, lug box	
--	24289	1	Assembly, cam lock panel	Items 1 - 6

OPTIONAL FEATURES

Cam Locks:

A	24703	5	Bar, cam lock bus
B	65551	1	Connector, cam lock female - black
C	65552	1	Connector, cam lock female - red
D	65553	1	Connector, cam lock female - blue
E	66040	1	Connector, cam lock female - white
F	66041	1	Connector, cam lock female - green
G	60061	20	Nut, 10-32 nylock
H	60237	20	Washer, #10 flat .495/.036
J	60397	20	Screw, 10-32x1.0 pan phil, G2

CIRCUIT BREAKER ASSEMBLY

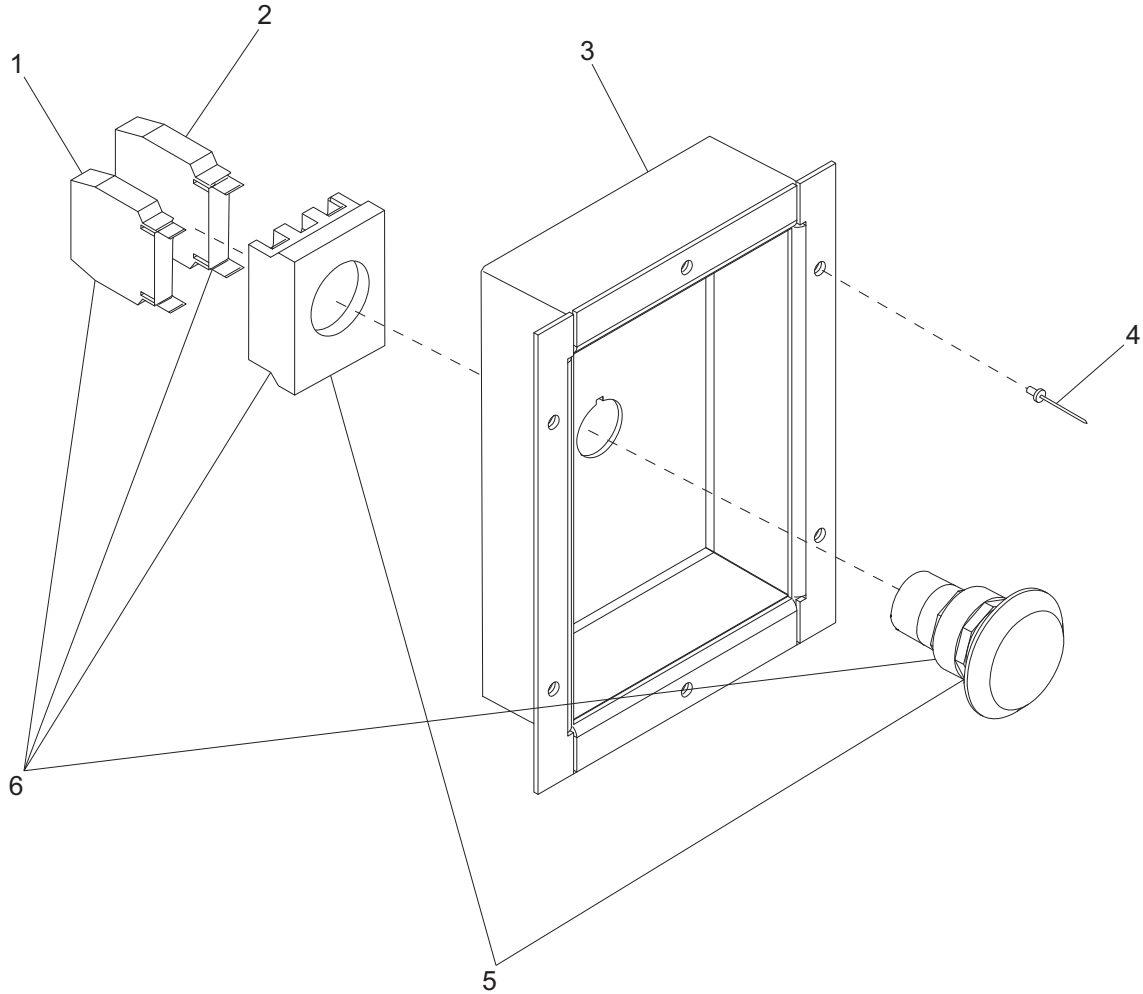


01425

CIRCUIT BREAKER ASSEMBLY

ITEM	PART	QTY	DESCRIPTION	NOTES
1	65754	2	Stop, 35 mm din rail end	
2	65739	2	Breaker, 50A, 240V, 2-pole	
3	65738	2	Breaker, 20A, 240V, 1-pole	
4	65753	1	Rail, din - 35 mm x 5.00 in	
--	65752	1	Assembly, breaker	Items 1 - 4

EMERGENCY STOP SWITCH ASSEMBLY

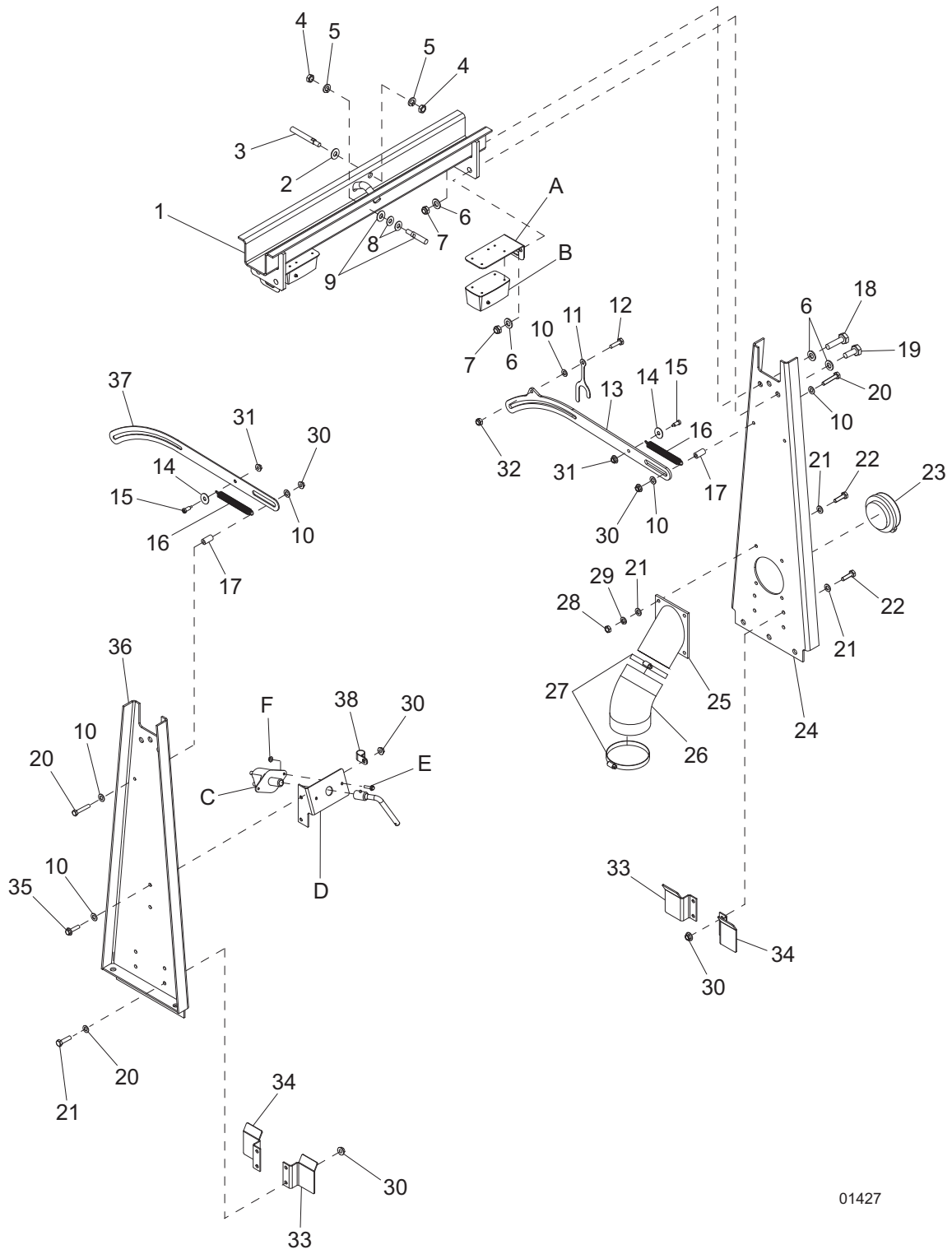


01426

EMERGENCY STOP SWITCH ASSEMBLY

ITEM	PART	QTY	DESCRIPTION	NOTES
1	65580	1	Block, E-stop contactor - NC	
2	65584	1	Block, E-stop contactor - NO/NO	
3	30645	1	Panel, emergency stop	
4	60260	2	Rivet, .188 dia. x .375 to .50	
5	65470	1	Switch, E-stop operator	
6	22550	1	Switch, E-stop - 2 NO/1NC	

LIFT STRUCTURE ASSEMBLY



01427

LIFT STRUCTURE ASSEMBLY

ITEM	PART	QTY	DESCRIPTION	NOTES
1	24212B	1	Weldment, top lift channel	
2	24196	1	Washer, striker pin	
3	26979ZY	1	Pin, striker - 3.25	
4	24046	2	Striker nut, .438-14, G8	
5	60276	2	Washer, .500 split lock	
6	60309	32	Washer, .500 flat 1.060/.090	
7	62221	16	Nut, .500-13 nylock, G5	
8	60386	2	Washer, .375 flat .993/.064	
9	23643	1	Pin, striker	
10	60340	3	Washer, .312 flat .875/.040, SS	
11	41568R	1	Latch, anti-shut	
12	60654	1	Screw, .312-18x1.0 button hex, SS	
13	41573B	1	Link, hood hold open	
14	60119	2	Washer, .312 flat .875/.070	
15	61062	2	Screw, shoulder, .375x.625 soc hex	
16	24823	2	Spring, rear hood	
17	24925ZC	2	Spacer, .50 OD .344 ID, 1.0 long	
18	60484	1	Screw, .500-13x2.0 std hex, G5	
19	60388	15	Screw, .500-13x1.50 std hex, G5	
20	60785	1	Screw, .312-18x2.0 std hex, SS	
21	60698	24	Washer, .375 flat .875/.040, SS	
22	61036	12	Screw, .375-16x1.250 std hex, SS	
23	23707	1	Cap, fuel fill - 3.50	
24	24519B	1	Weldment, lift post - left	
25	24296B	1	Weldment, fuel fill	
26	22286	1	Elbow, 45° 4.0 ID molded rubber	
27	19842	2	Clamp, hose - SAE 072 (4.06-5.00)	
28	60140	12	Nut, .375-16 hex, G5	
29	60206	12	Washer, .375 split lock	
30	60095	10	Nut, .312-18 sflg	
31	60145	2	Nut, .375-16 sflg lock, G5	
32	60303	1	Nut, .312-18 nylock, G2	
33	28524B	2	Bracket, hood guide-left/front, right/rear	
34	28523B	2	Bracket, hood guide-right/front, left/rear	
35	60507	2	Screw, .312-18x1.0 std hex, SS	
36	24520B	1	Weldment, lift post - right	
37	24779B	1	Link, hood hold open	
38	60716	1	Clamp, tubing - 1.50 lt duty	

OPTIONAL FEATURES

Auxiliary Lighting:

A	26096B	2	Bracket, interior light
B	11947	2	Light, interior, w/switch
--	66943	1	Harness, interior light

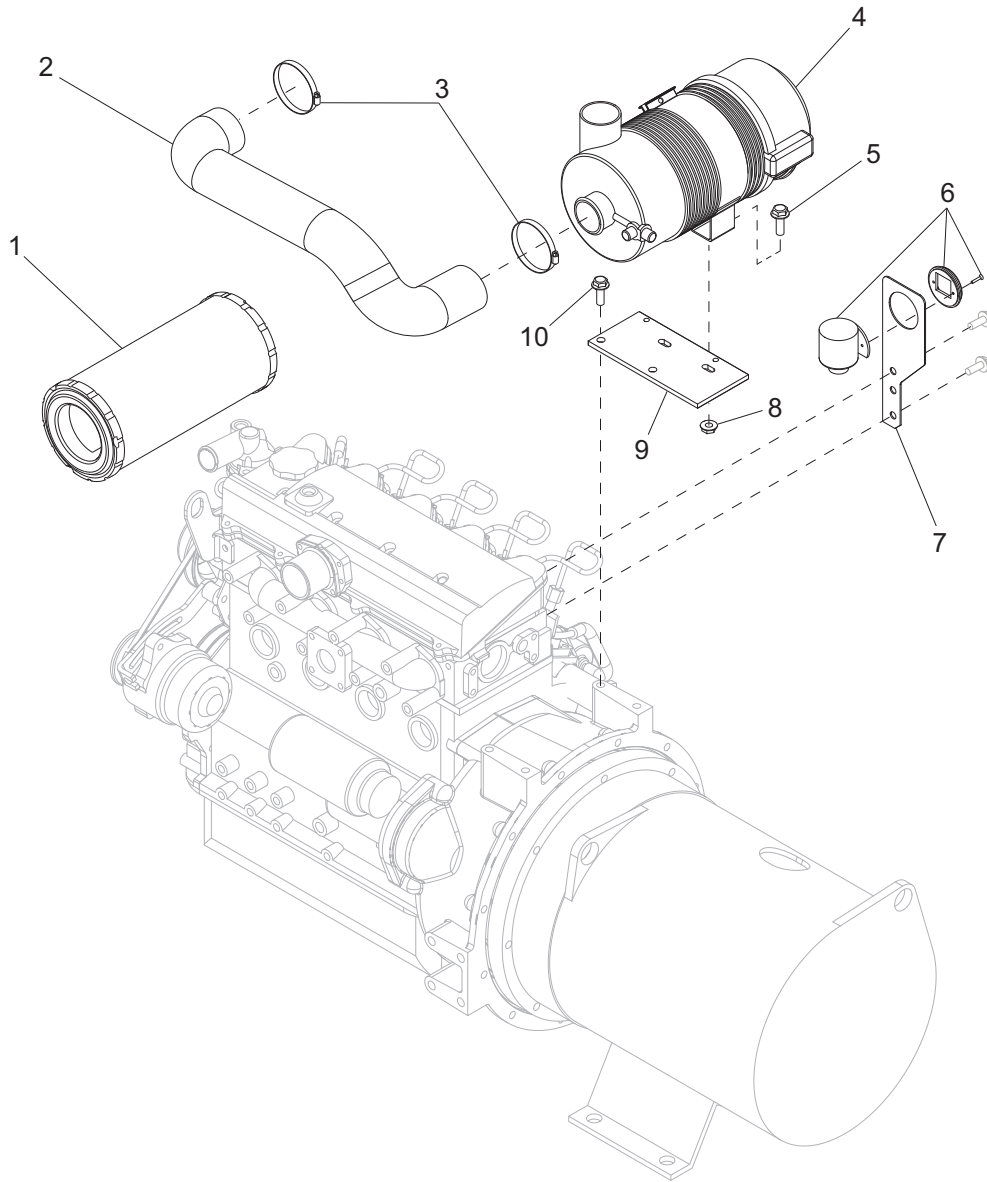
Battery Disconnect:

C	21489	1	Battery disconnect switch
D	26095B	1	Bracket, battery disconnect
E	60523	2	Screw, .250-20x.875 sflg hex
F	60161	2	Nut, .250-20 sflg, G5
--	27517	1	Cable, battery - 22 in. 2/0 black - 1/2 in. lug

Fire Extinguisher:

--	14509	1	Fire extinguisher - 5 lbs
--	60072	2	Screw, M12-1.75x25 sflg hex, G10.9
--	23396B	1	Weldment, fire extinguisher bracket

AIR FILTER ASSEMBLY

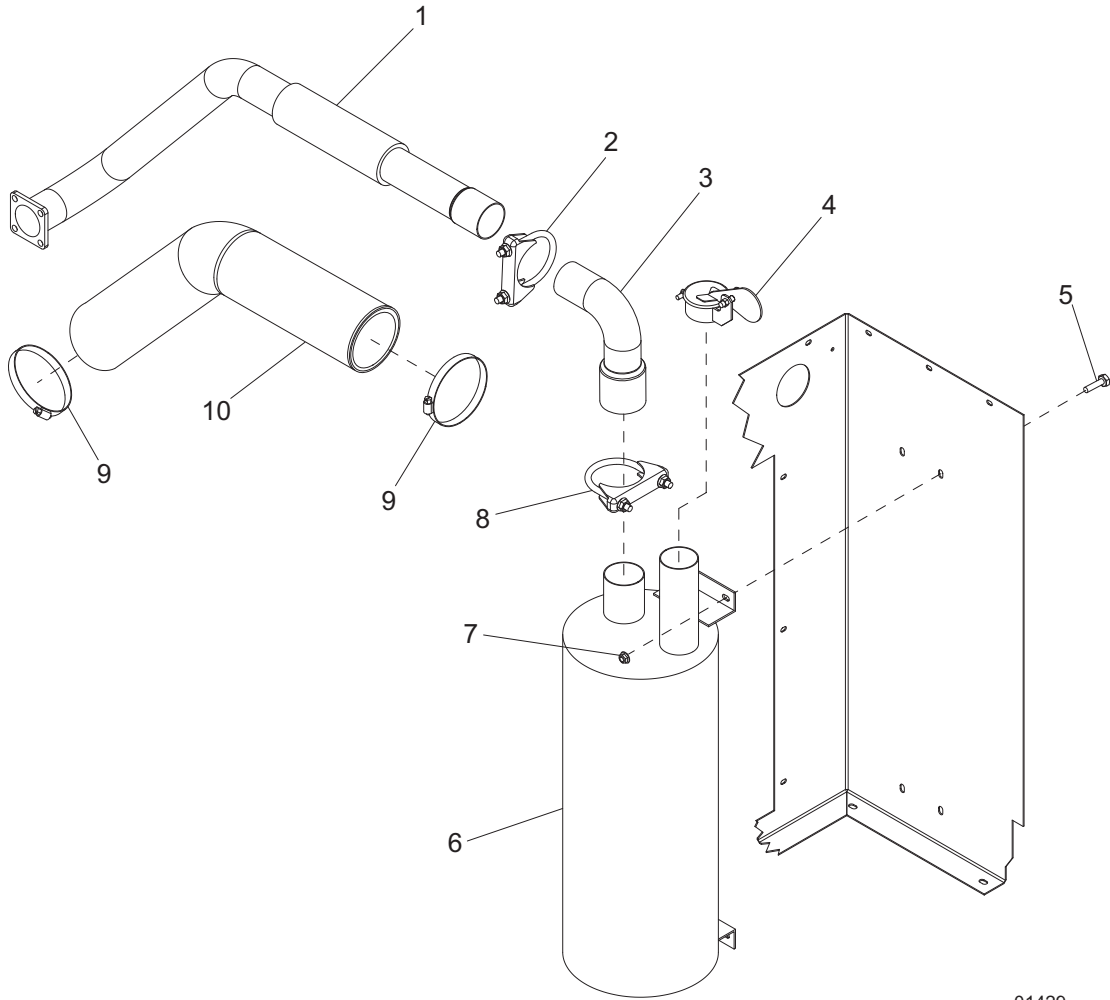


01428

AIR FILTER ASSEMBLY

ITEM	PART	QTY	DESCRIPTION	NOTES
1	21937	1	Element, air filter	
2	28618	1	Hose, air filter	
3	60316	2	Clamp, hose - SAE 032 (1.56-2.50)	
4	21505	1	Filter, air	
5	60018	2	Screw, M10-1.50x20 sflg hex, class 90	
6	18609	1	Kit, filter minder gauge	
7	24793B	1	Plate, filter minder mounting	
8	60095	2	Nut, .312-18 sflg	
9	28617B	1	Bracket, air filter	
10	60616	2	Screw, .312-18x.750 sflg hex, G5	

EXHAUST SYSTEM ASSEMBLY

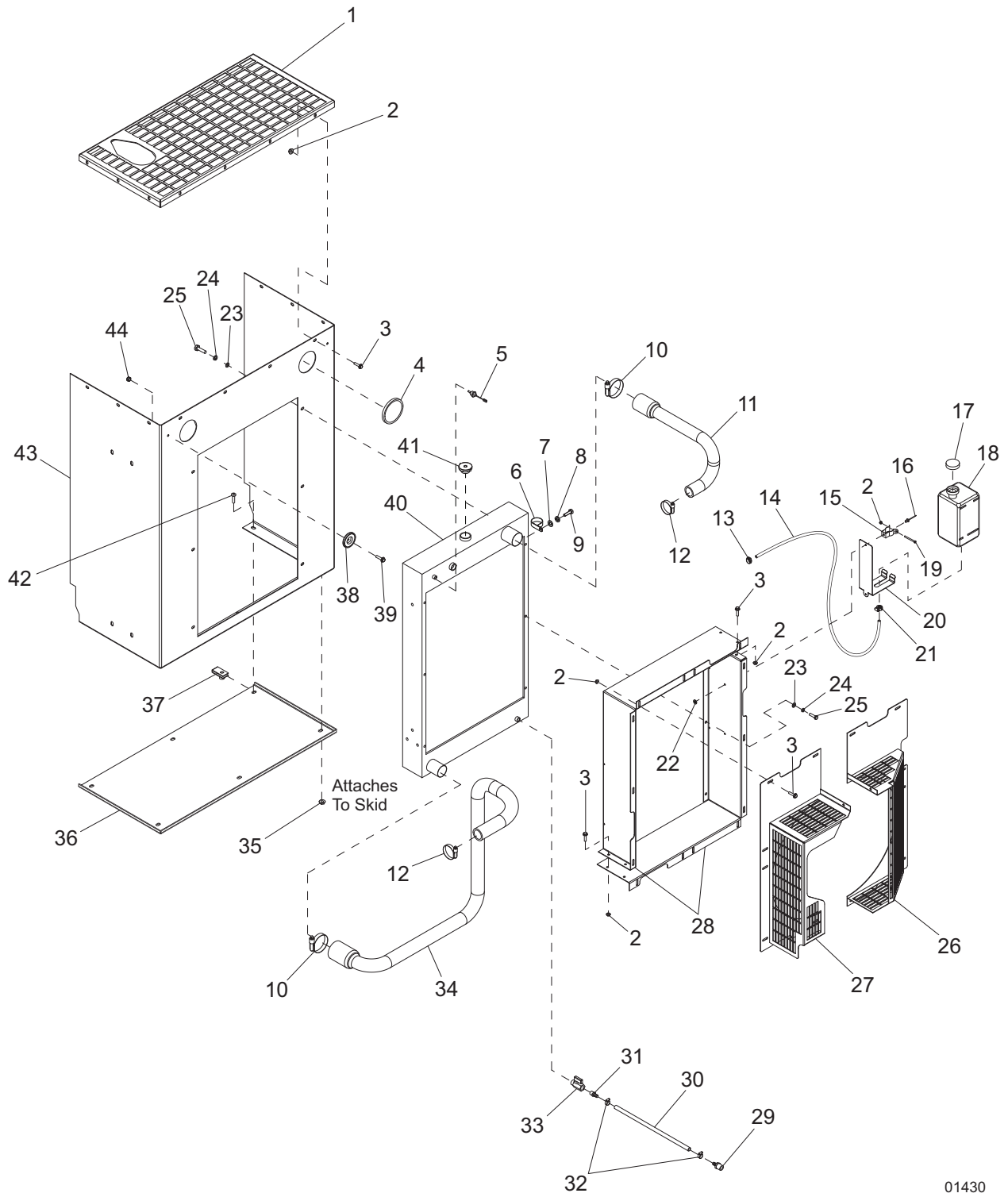


01429

EXHAUST SYSTEM ASSEMBLY

ITEM	PART	QTY	DESCRIPTION	NOTES
1	32018	1	Pipe, exhaust	
2	18823	1	Clamp, muffler - 2 in	
3	26350	1	Pipe, exhaust	
4	26428B	1	Rain cap/restrictor - 2.5 in	
5	61036	4	Screw, .375-16x1.250 std hex, SS	
6	24332	1	Muffler, exhaust	
7	60679	4	Nut, .375-16 hex, SS	
8	15550	1	Clamp, muffler - 2.5 in	
9	19336	2	Clamp, hose - SAE 044 (2.31-3.25)	
10	26478	4 ft	Sleeve, high temp - 2 in	
--	26429	1	Assembly, exhaust	Items 1 - 10

COOLING SYSTEM ASSEMBLY

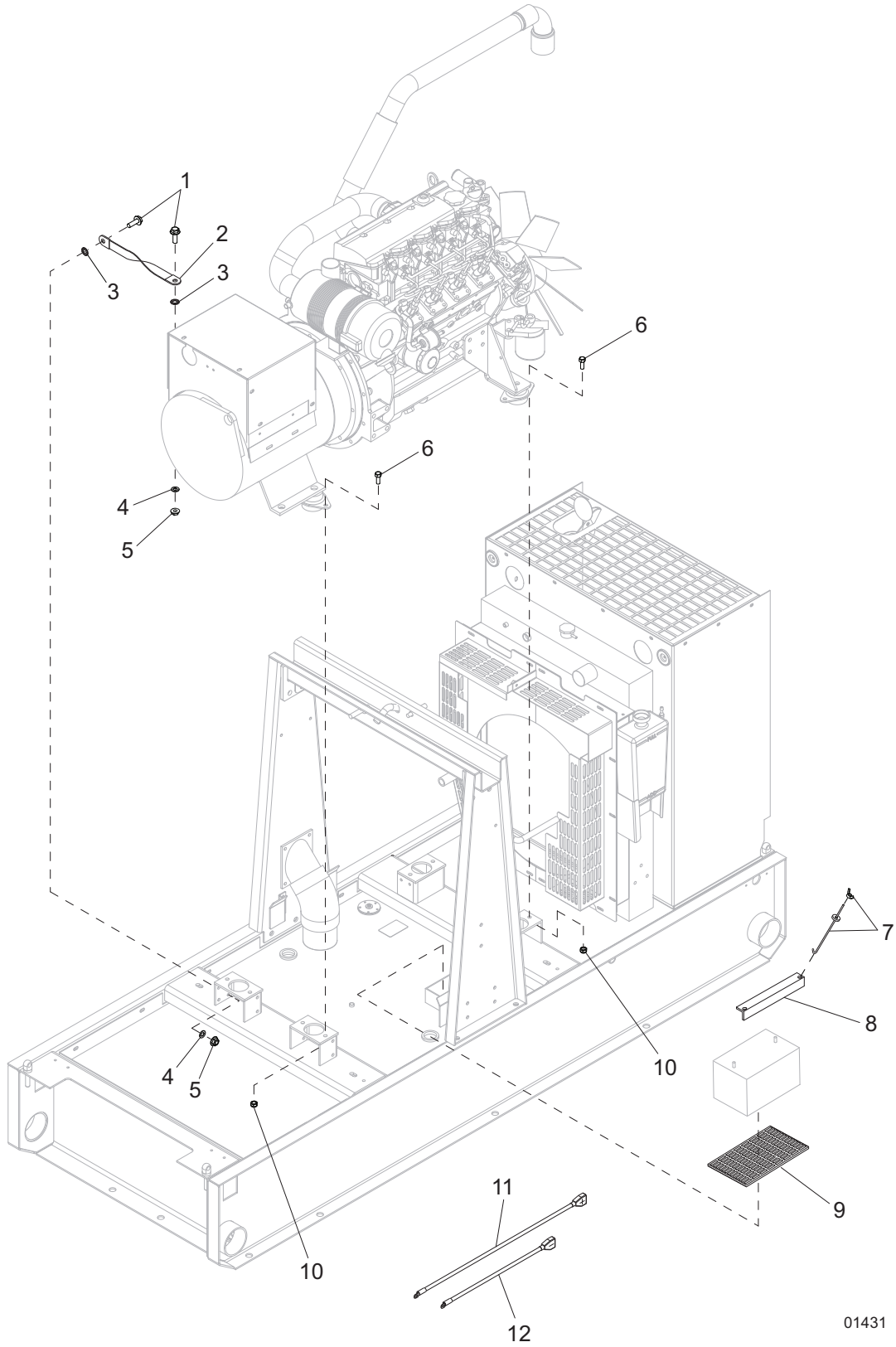


01430

COOLING SYSTEM ASSEMBLY

ITEM	PART	QTY	DESCRIPTION	NOTES
1	24309B	1	Panel, roof outlet	
2	60161	27	Nut, .250-20 sflg, G5	
3	60175	27	Screw, .250-20x.50 sflg hex, G5	
4	27434	1	Plug, 3 in. hole	
5	30942	1	Sensor, low coolant switch/harness	
6	60649	1	Clamp, tubing - .750 hvy duty	
7	60698	1	Washer, .375 flat .875/.040, SS	
8	60703	1	Washer, .375 split lock, SS	
9	60690	1	Screw, .375-16x1.0 std hex, SS	
10	60316	2	Clamp, hose - SAE 032 (1.56-2.50)	
11	28625	1	Hose, radiator - upper	
12	15422	2	Clamp, hose - SAE 020 (.75-1.75)	
13	63192	1	Clamp, crimping band - .464 in	
14	50018	2.5 ft	Hose, fuel - .312 ID, 50 psi, SAE 30R7	
15	19726	1	Clamp, overflow bottle	
16	60231	2	Rivet, .188 dia. x .375 to .500 grip range	
17	19714	1	Cap, overflow bottle	
18	41958	1	Jug, overflow - 3.5 qt.	
19	60414	1	Screw, .250-20x1.50 std hex, G5	
20	41206B	1	Bracket, overflow jug	
21	14216	1	Clamp, hose - SAE 004 (.21-.62) miniature	
22	60237	2	Washer, #10 flat .495/.036	
23	60119	12	Washer, .312 flat .875/.070	
24	60271	12	Washer, .312 split lock	
25	60168	12	Screw, .312-18x.750 std hex, G5	
26	28623B	1	Weldment, fan guard - right	
27	28621B	1	Weldment, fan guard - left	
28	24532B	2	Radiator shroud	
29	60999	1	Fitting, barb - brass	
30	50018	.812 ft	Hose, .312 ID, 50 psi, SAE 30R7	
31	19180	1	Fitting, strt - .375MNPTx.312 barb	
32	14216	2	Clamp, hose - mini	
33	62032	1	Valve, ball .375NPTF - mini	
34	28626	1	Hose, radiator - lower	
35	60095	3	Nut, .312-18 sflg	
36	24849B	1	Panel, bulkhead - lower	
37	60505	3	Nut, .312-18 U-clip - long type	
38	24950	2	Magnet, disc - 2.03 in	
39	61091	6	Screw, .312-18x1.0 sflg hex, G5	
40	41257	1	Radiator	
41	19219	1	Cap, radiator pressure	
42	60068	2	Screw, 10-24x.500 pan phil, G2	
43	24951B	1	Panel, bulkhead	
44	60457	2	Nut, 10-24 nylock, G2	
--	28620	1	Assy, radiator	

ENGINE TO SKID ASSEMBLY

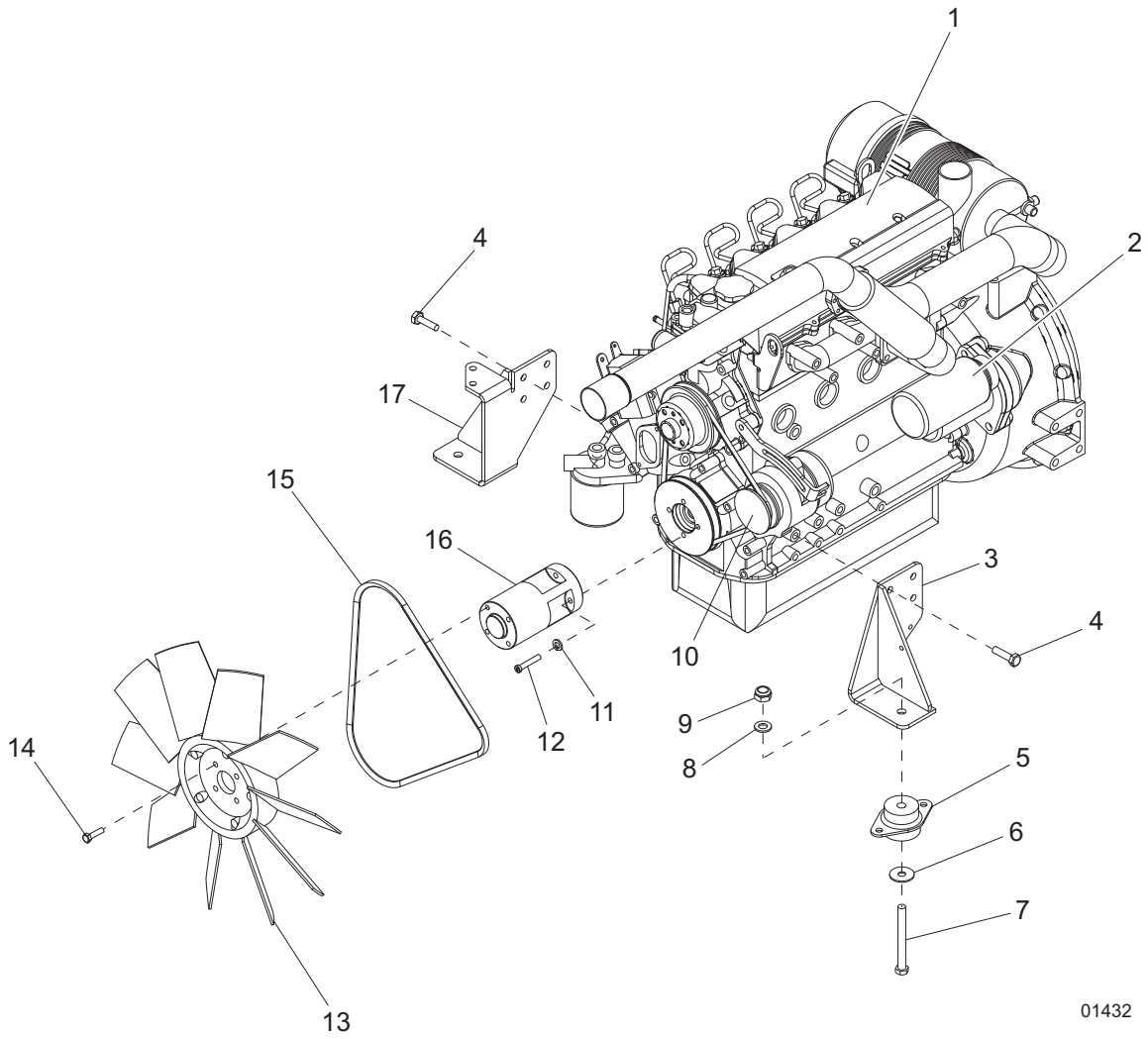


01431

ENGINE TO SKID ASSEMBLY

ITEM	PART	QTY	DESCRIPTION	NOTES
1	60353	2	Screw, .375-16x1.0 flg hex, G2	
2	19042	1	Strap, braided ground - 10 in	
3	60053	2	Washer, M12 exterior star	
4	60386	2	Washer, .375 flat .993/.064	
5	60145	2	Nut, .375-16 sflg lock, G5	
6	60205	8	Screw, .375-16x1.0 std hex, G5	
7	60820	2	Bolt, J - .250-20x9.00	
8	41055B	1	Bracket, battery tie-down	
9	41185	1	Battery pad - 6.0x10.0 black, pillo-mat	
10	60358	8	Nut, .375-16 nylock, G5	
11	18691	1	Cable, battery - 44 in. 2GA red, 3/8 in. lug	
12	24778	1	Cable, battery - 15 in. 2GA black, 1/2 in. lug	

ENGINE ASSEMBLY - LEFT SIDE



01432

ENGINE ASSEMBLY - LEFT SIDE

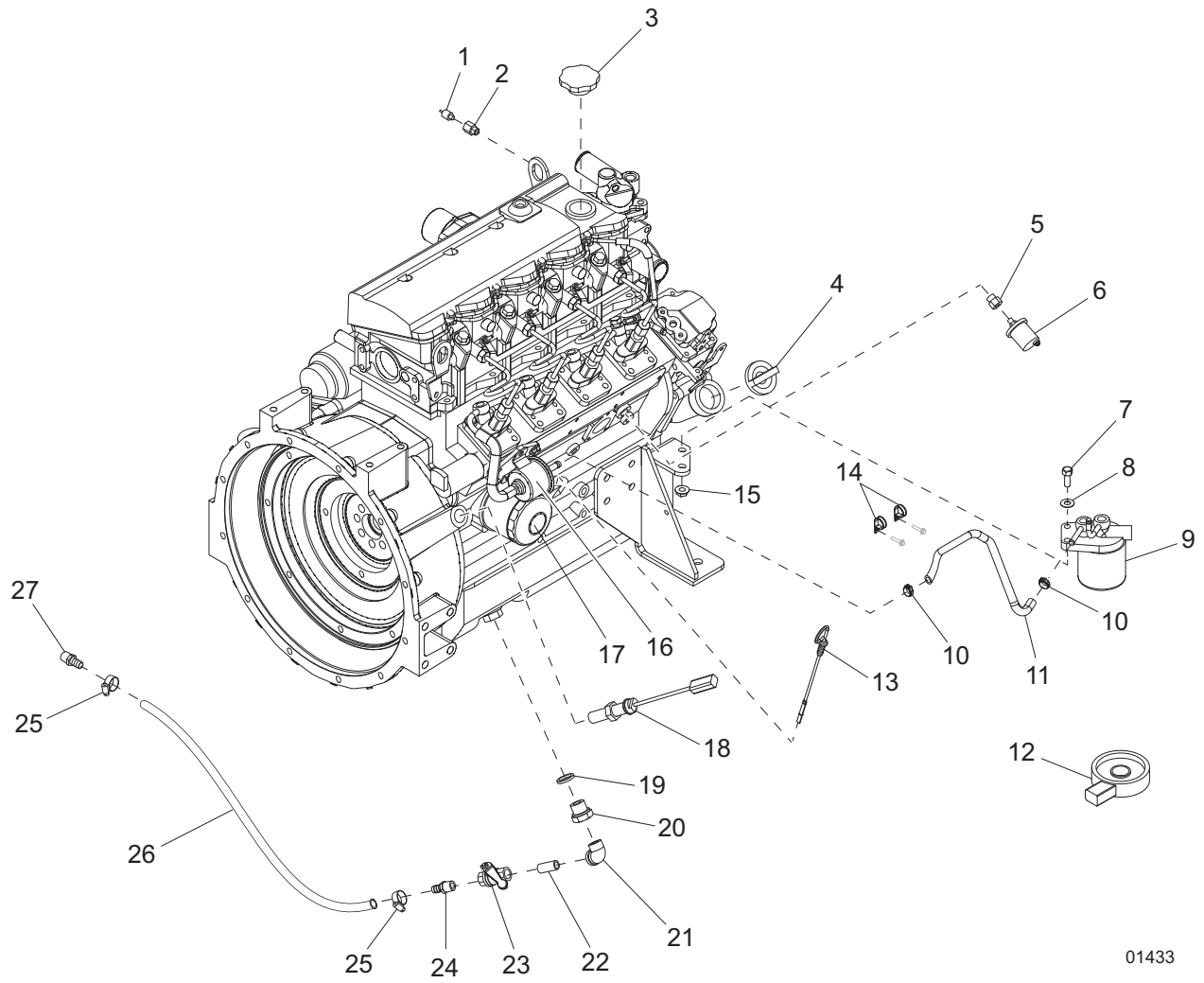
ITEM	PART	QTY	DESCRIPTION	NOTES
1	10896	1	Engine, Isuzu	Start SN: 1031216
	36527	1	Engine, Isuzu	
	21674	1	Engine, Isuzu	SN: 0900931 - 1031215
	27293	1	Engine, Isuzu	SN: 0900278 - 0900930
	21674	1	Engine, Isuzu	SN: 0900277 and earlier
2	26033	1	Starter assembly	
3	28599B	1	Weldment, engine mount - left	
4	60018	8	Screw, M10-1.50x20 sflg hex, class 90	
5	22788	2	Isolator, rubber - 350 lbs	
6	18085	2	Washer, .510 snub - 2.0/.130	
7	61094	2	Screw, .500-13x3.50 std hex, G8	
8	60416	2	Washer, .500 flat 1.375/.090	
9	62221	2	Nut, .500-13 nylock, G5	
10	26049	1	Alternator	
11	60029	4	Washer, M8 split lock	
12	61119	4	Screw, M8-1.25x35 soc hex, G12.9	
13	41121	1	Fan, pusher - 18.00 CW	
14	61204	4	Screw, M8-1.25x20 std hex, G10.9	
15	22258	1	Belt, fan - 4LE1-PV05	
16	28616	1	Spacer, fan	
17	28598B	1	Weldment, engine mount - right	
--	66766	1	Harness, engine	

OPTIONAL FEATURES

--	15370	1	Switch, Isuzu, water temperature - single post
--	32505	1	Switch, Isuzu, water temperature - dual post

Note: Engine and generator parts used in all Generac Mobile Products equipment carry the Original Equipment Manufacturer (OEM) warranty unless otherwise stated. OEM warranty parts must be purchased through an OEM dealer. Please contact Generac Mobile Products with questions.

ENGINE ASSEMBLY - RIGHT SIDE



01433

ENGINE ASSEMBLY - RIGHT SIDE

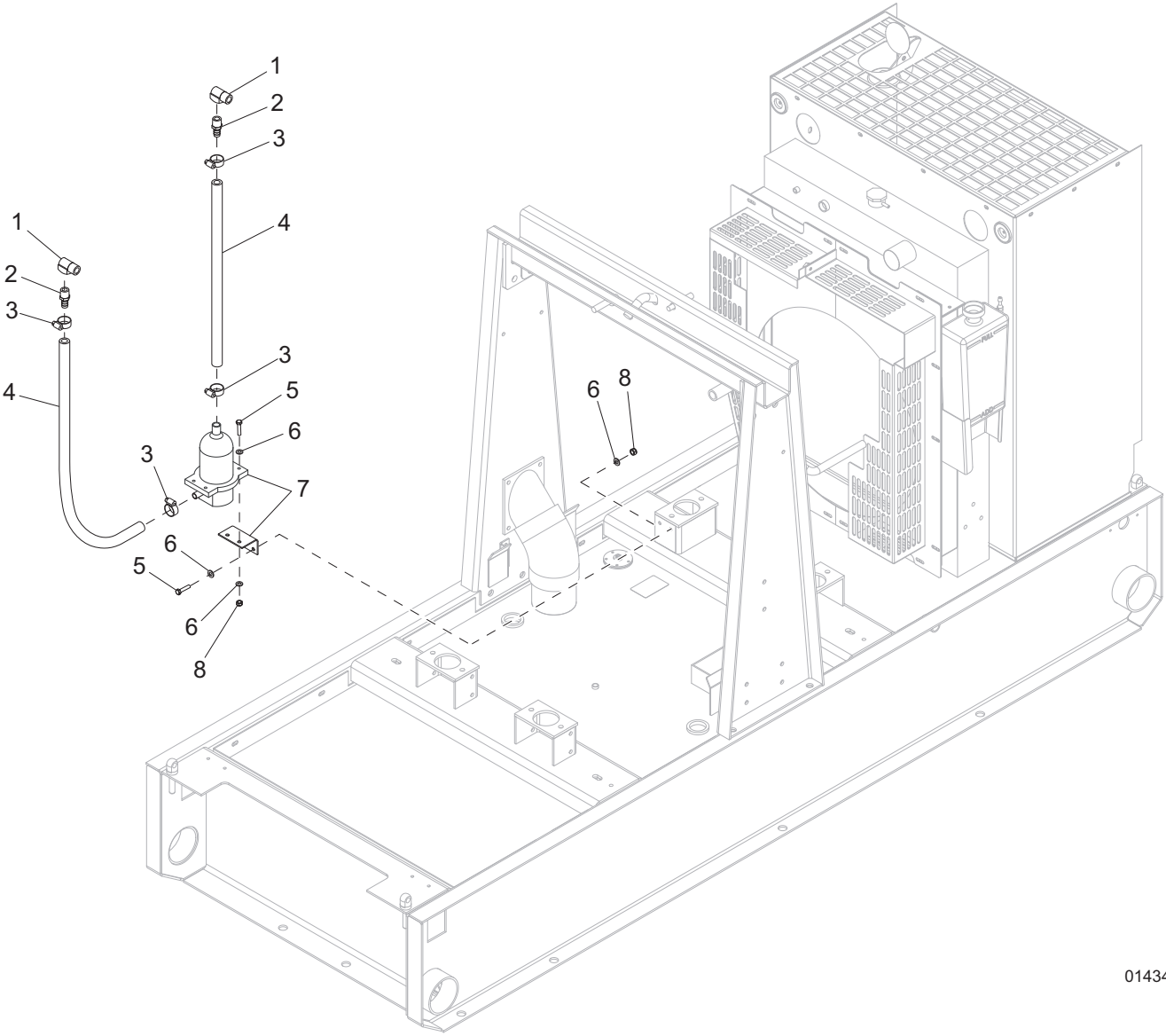
ITEM	PART	QTY	DESCRIPTION	NOTES
1	19247	1	Sensor, temperature	
2	19513	1	Fitting, strt - .125FNPTx.375-19BPT	
3	16184	1	Cap, oil filler	
4	26061	1	Cap - oil fill	
5	19232	1	Fitting, strt- .125FNPTx.125-28MBSP	
6	18106	1	Sensor, oil pressure	
7	60352	2	Screw, .375-16x1.250 std hex, G5	
8	60386	2	Washer, .375 flat .993/.064	
9	15331	1	Element, fuel filter	
	13515	1	Element, fuel filter	MMG25FHICAN & CAN6
10	60777	2	Clamp, hose - .312 fuel hose, crimp style	
11	50018	1.37 ft	Hose, fuel - .312 ID, 50 psi, SAE 30R7	
12	13682	1	Heater, fuel filter	MMG25FHICAN & CAN6
13	23899	1	Dipstick, oil	
14	16143	2	Clamp, tubing - .50 in	
15	60145	2	Nut, sflg lock, G5	
16	16205	1	Fuel pump	
17	15183	1	Filter, oil	
18	18105	1	Sensor, magnetic pick-up	
19	19465	1	Seal, M20	
20	24924	1	Fitting, M20 O-ring seal x .250FNPT	
21	23146	1	Fitting, 90° - .250MNPTx.375FNPT, brass	
22	25922	1	Fitting, nipple, pipe-.375NPT x close, brass	
23	19280	1	Valve, ball .375NPTF	
24	25931	1	Fitting, strt - .375NPTx.625 barb	
25	60365	2	Clamp, hose - SAE 010 (.56-1.06)	
26	50201	2.5 ft	Hose, .625, 200 psi, class A	
27	60502	1	Fitting, strt - .500MNPTx.625 barb, brass	

OPTIONAL FEATURES - MMG25FHI

--	Page 54	1	Assembly, hotstart	
<i>Heated Fuel Filter:</i>				
12	13682	1	Heater, fuel filter	
--	13683	1	Adapter, fuel filter heater element	
--	32334	1	Harness, heated fuel filter - inside	
--	66789	1	Harness, fuel filter heater - outside	
--	13515	1	Element, fuel filter - non-water separating	
--	13834	1	Gasket, heated fuel filter	
--	31023	1	Decal, relay labeling - fuel heater	

Note: Engine and generator parts used in all Generac Mobile Products equipment carry the Original Equipment Manufacturer (OEM) warranty unless otherwise stated. OEM warranty parts must be purchased through an OEM dealer. Please contact Generac Mobile Products with questions.

**HOTSTART ASSEMBLY - MMG25FHICAN, MMG25FHICAN6
(Optional for MMG25FHI)**

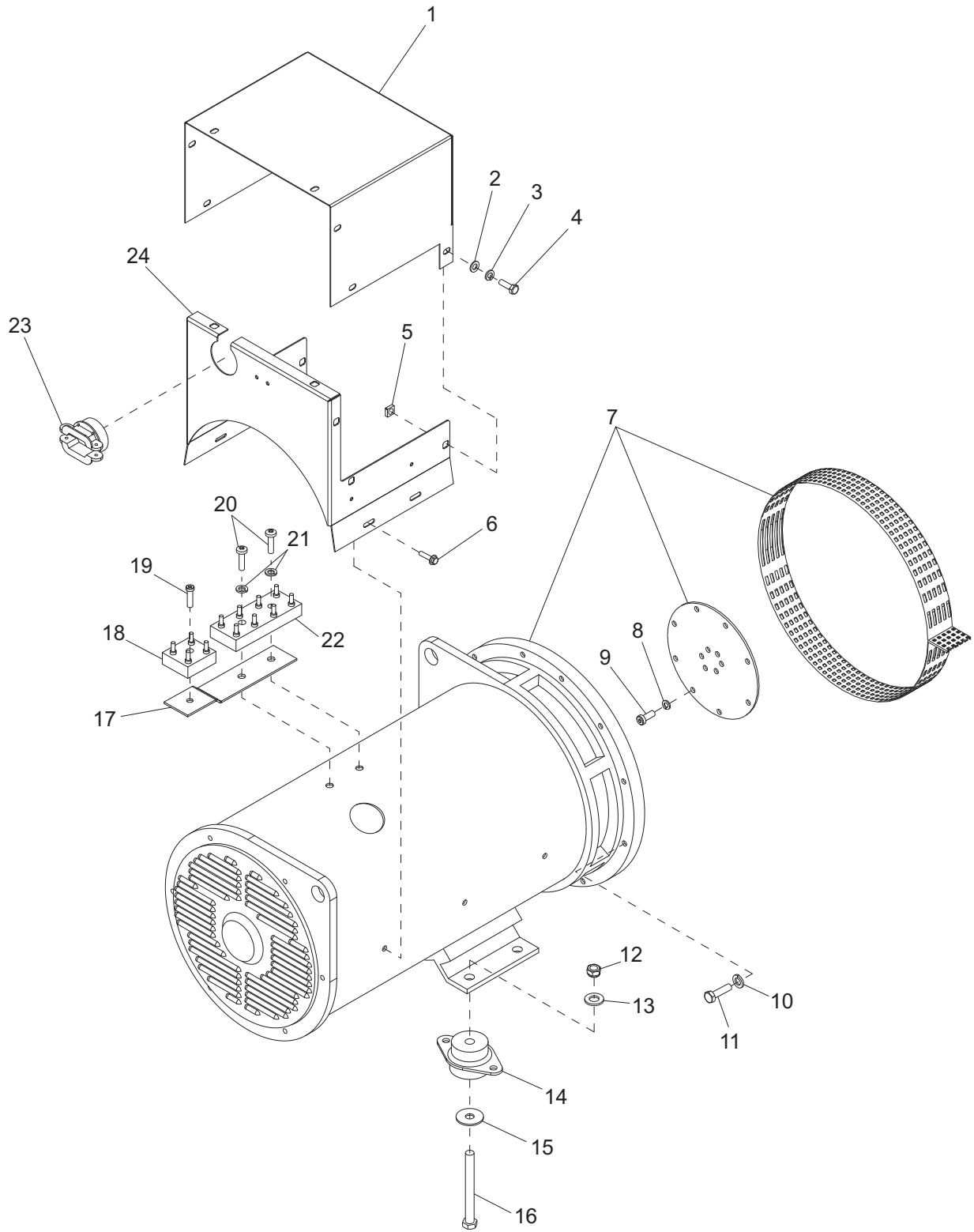


01434

HOTSTART ASSEMBLY

ITEM	PART	QTY	DESCRIPTION	NOTES
1	15396	2	Fitting, 90-.375MNPTx.375FNPT, brs	
2	25931	2	Fitting, strt - .375NPTx.625 barb	
3	60365	4	Clamp, hose - SAE 010 (.56-1.06)	
4	50201	2	Hose, .625, 200 psi, class A (1.83 ft.)	
5	60393	4	Screw, .250-20x1.0 std hex, G5	
6	60243	8	Washer, .250 flat .735/.060	
7	25914	1	Heater, coolant	
8	60144	4	Nut, .250-20 nylock, G5	
--	66658	6 ft	Loom, wire	

GENERATOR ASSEMBLY



01435

GENERATOR ASSEMBLY

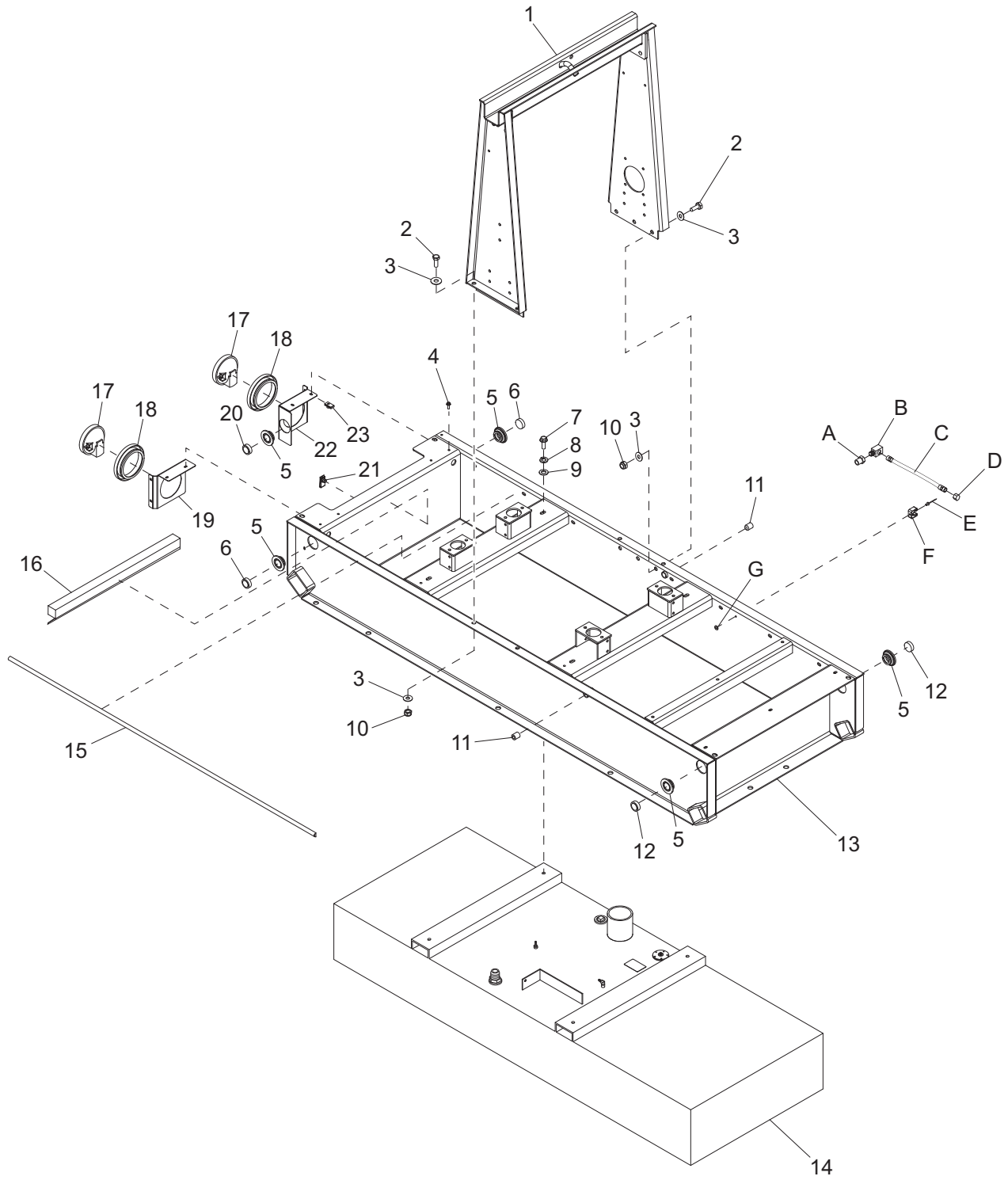
ITEM	PART	QTY	DESCRIPTION	NOTES
1	26432B	1	Panel, gen box - cover	
2	60119	8	Washer, .312 flat .875/.070	
3	60271	8	Washer, .312 split lock	
4	60168	8	Screw, .312-18x.750 std hex, G5	
5	15425	8	Nut, .312-18 cage	
6	60175	4	Screw, .250-20x.500 sflg hex, G5	
7	22899	1	Generator, 282NSL1505	MMG25FHI & MMG25FHICAN
	34203	1	Generator, 282PSL5255	MMG25FHICAN6
--	65850	4	Breaker, 10A/240V, 1 pole push button	MMG25FHICAN6
8	60703	8	Washer, .375 split lock, SS	
9	60717	8	Screw, .375-16x.750 soc hex	
10	60026	12	Washer, M10 split lock	
11	60055	12	Screw, M10-1.50x35 std hex, G10.9	
12	62221	2	Nut, .500-13 nylock, G5	
13	60416	2	Washer, .500 flat 1.375/.090	
14	22788	2	Isolator, rubber, 350 lbs	
15	18085	2	Washer, .510 snub 2.0/.130	
16	61094	2	Screw, .500-13x3.50 std hex, G8	
17	28628B	1	Plate, terminal block mounting	
18	65519	1	Block, terminal - 4-pole	
19	61137	1	Screw, .250-20x.625 soc hex, G5	
20	60146	2	Screw, M6-1.0x20 pan phil, G4.8	
21	60016	2	Washer, M6 split lock	
22	24899	1	Block, terminal - 8 pos	
23	65788	1	Strain relief - 2.00 Romex	
24	26431B	1	Panel, gen box - lower	
--	28612	1	Assembly, generator - standard	

OPTIONAL FEATURES - MMG25FHI & MMG25FHICAN ONLY

-	27832	1	Generator, marathon 283PSL1707
---	-------	---	--------------------------------

Note: Engine and generator parts used in all Generac Mobile Products equipment carry the Original Equipment Manufacturer (OEM) warranty unless otherwise stated. OEM warranty parts must be purchased through an OEM dealer. Please contact Generac Mobile Products with questions.

SKID ASSEMBLY
Starting Serial Number 1031774



01436

SKID ASSEMBLY

Starting Serial Number 1031774

ITEM	PART	QTY	DESCRIPTION	NOTES
1	Page 58	1	Assembly, lift structure	
2	60388	10	Screw, .500-13x1.50 std hex, G5	
3	60309	20	Washer, .500 flat 1.060/.090	
4	60479	4	Screw, .250-20x1.0 sflg hex, G5	
5	66394	5	Grommet, rubber 2.0 in	
6	66703	2	Light, clearance - 2.0 in. red, LED	
7	61101	4	Screw, .500-13x1.50 std hex, G8	
8	60276	4	Washer, .500 split lock	
9	60309	24	Washer, .500 flat 1.060/.090	
10	62221	10	Nut, .500-13 nylock, G5	
11	18394	2	Fitting, plug - .500NPT x internal hex	
12	66702	2	Light, clearance - 2.0 in. amber, LED	
13	29580B	1	Weldment, skid	
14	Page 62	1	Assembly, fuel tank	
15	50358	13.42 ft	Seal, rubber - bubble type	
16	26395	1	Foam, tank sealing	
17	66701	2	Light, rear tail/turn round - LED	
18	10221	2	Grommet, rear light, rubber 4.5 in	
19	29673B	1	Bracket, rear light - right side	
20	66704	2	Light, utility - 2.0 in. clear, LED	
21	61147	2	Nut, .312-18 U-clip, G5 - long type	
22	29674B	1	Bracket, rear light - left side	
23	61089	4	Nut, .250-20 U-clip - long type	

OPTIONAL FEATURES

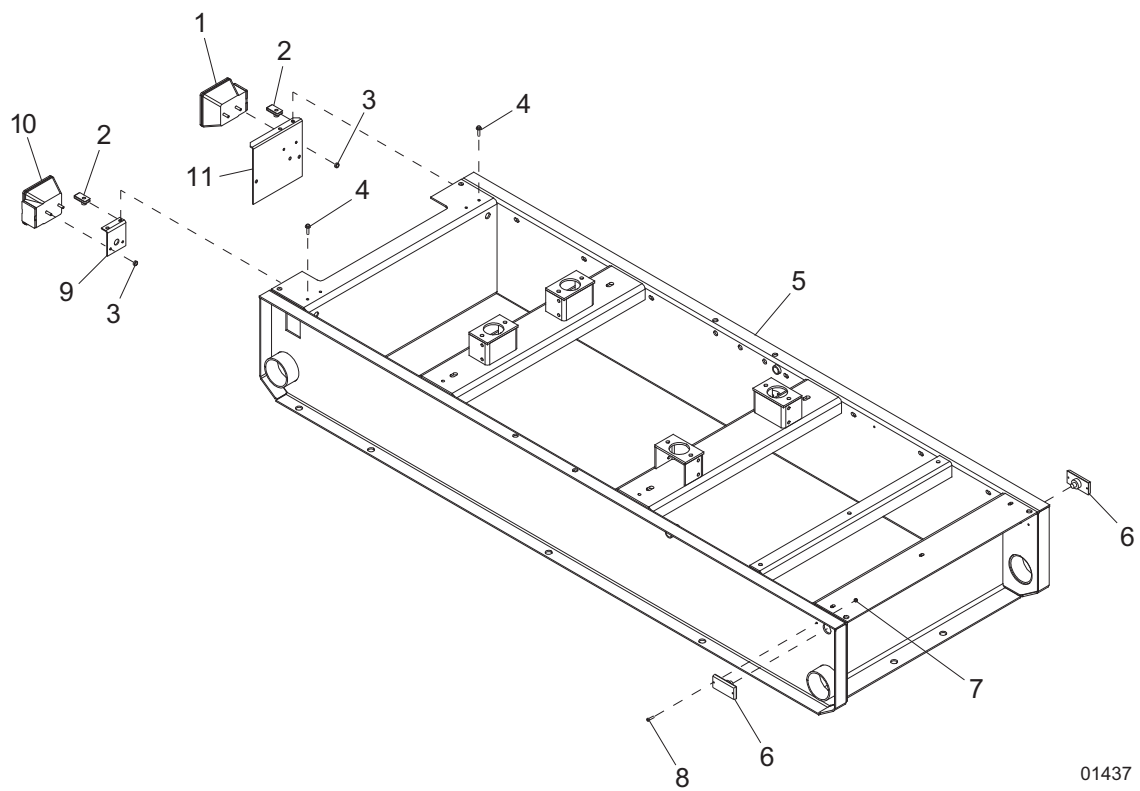
Oil Drain (Tandem Tow):

A	22570	1	Fitting, strt - .500MNPTx.375FNPT
B	15396	1	Fitting, 90° - .375MNPTx.375FNPT, brass
C	19168	1	Hose assy, radiator drain
D	19300	1	Fitting, pipe, .375 hex
E	60231	1	Rivet, .188 dia. x .375 to .500 grip range
F	19041	1	Clip, spring holder
G	60237	1	Washer, #10 flat .495/.036

Incandescent Lights:

--	66396	2	Light, clearance - 2.0 in. amber
--	66397	2	Light, clearance - 2.0 in. red
--	66395	1	Light, utility - 2.0 in. clear
--	10220	2	Light, rear tail/turn round
--	10221	2	Grommet, rear light, rubber 4.5 in

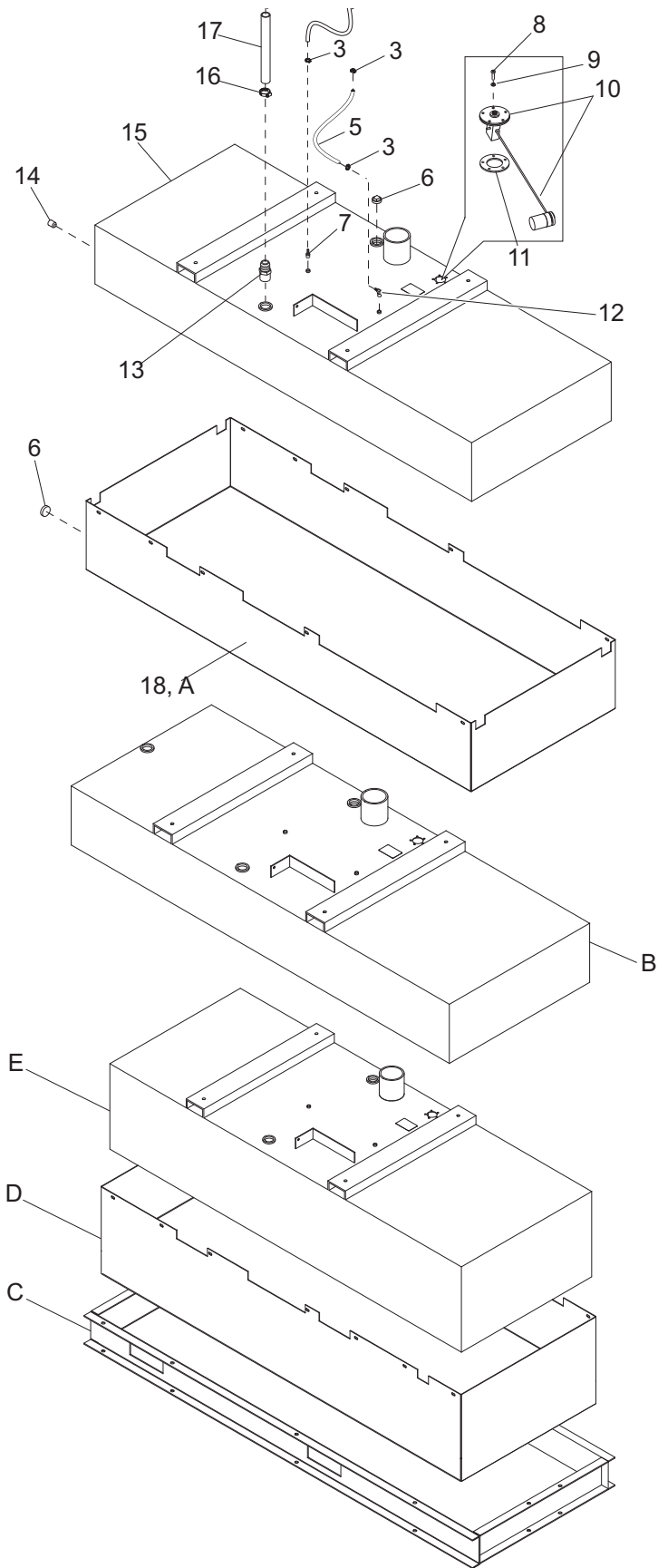
SKID ASSEMBLY
Ending Serial Number 1031773



SKID ASSEMBLY**Ending Serial Number 1031773**

ITEM	PART	QTY	DESCRIPTION	NOTES
1	65449	1	Light, stop/turn/tail - left	
2	61089	4	Nut, .250-20 U-clip - long type	
3	60144	4	Nut, .250-20 nylock, G5	
4	60479	4	Screw, .250-20x1.0 sflg hex, G5	
5	24152B	1	Weldment, skid	
6	65407	2	Light, clearance - amber	
7	60270	4	Nut, 8-32 nylock, class 6	
8	60406	4	Screw, 8-32x1.0 pan phil, G2	
9	22740B	1	Bracket, rear light - right side	
10	65448	1	Light, stop/turn/tail - right	
11	26589B	1	Bracket, rear light - left side	

FUEL TANK ASSEMBLY - MMG25FHI



01438

FUEL TANK ASSEMBLY

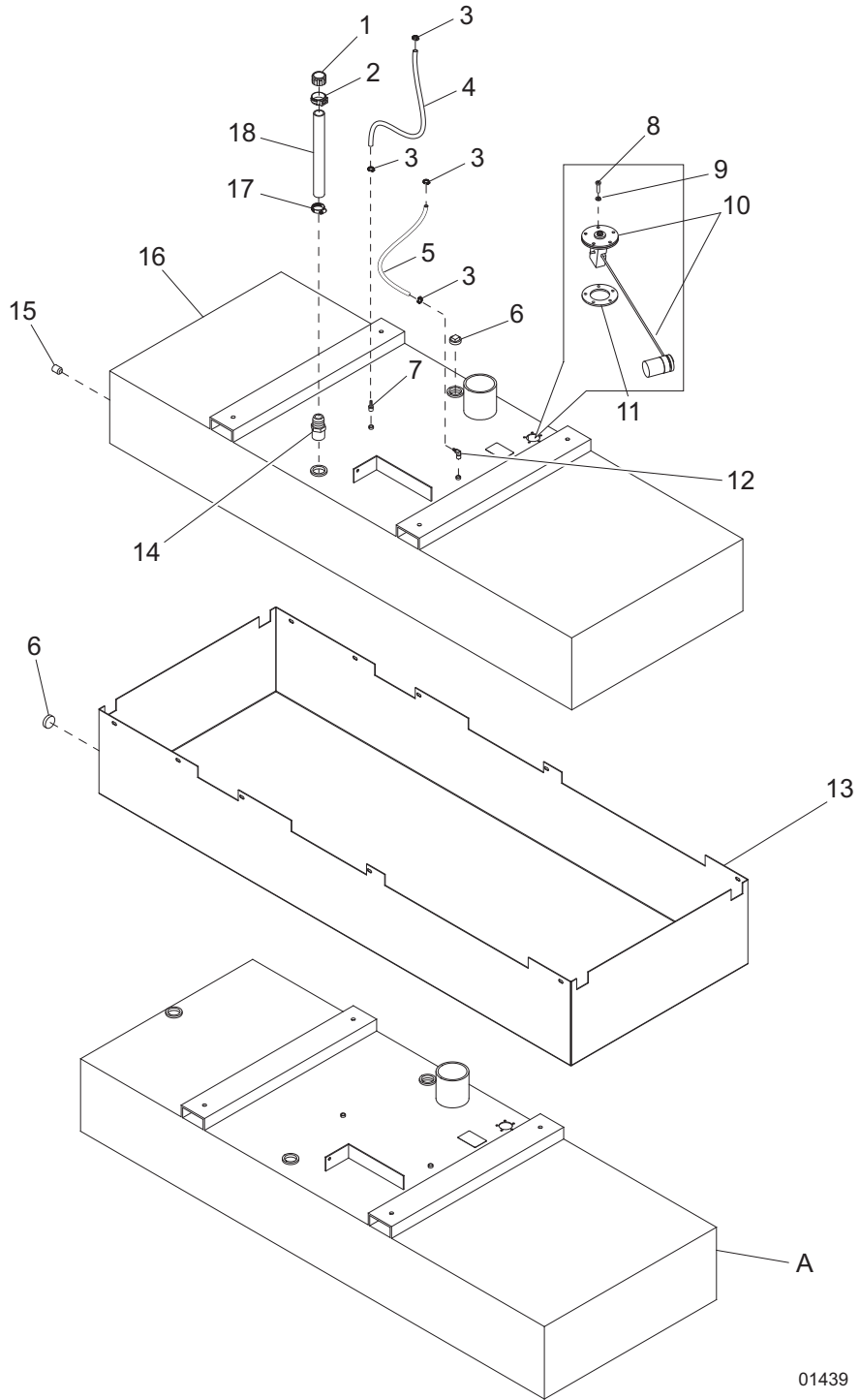
ITEM	PART	QTY	DESCRIPTION	NOTES
1	26379	1	Vent, plastic fuel - 1.0 ID	
2	62040	1	Clamp, hose - 1.50 fuel hose, crimp style	
3	14216	4	Clamp, hose - SAE 004 (.21-.62) miniature	
4	50018	2.5 ft	Hose, fuel - .312 ID, 50 psi, SAE 30R7	
5	50018	1.75 ft	Hose, fuel - .312 ID, 50 psi, SAE 30R7	
6	65636	1	Fitting, plug - 1.00NPT flush mount, w/hex soc	
7	15142	1	Fitting, strt - .250NPTx.312 barb	
8	60062	5	Screw, 10-32x.750 pan phil, G2	
9	60252	5	Washer, #10 split lock	
10	20571	1	Sender, fuel - 10-15 in. tank	
11	22323	1	Gasket, fuel sending unit	
12	15693	1	Fitting, 90° - .250NPTx.312 barb, brs	
13	21451	1	Fitting, strt - 1.0MNPTx1.0 barb, galv	
14	18394	1	Fitting, plug - .500NPT x internal hex	
15	24308B	1	Tank, fuel - 106 gal	
16	19338	1	Clamp, hose - SAE 016 (.68-1.50)	
17	50019	3 ft	Hose, fuel - 1.00 SAE 20R	

OPTIONAL FEATURES

Fuel Tank/Containment Package:

A	26100B	1	Pan, 24 hr. containment
B	26406B	1	Tank, fuel - 78 gal. double wall

FUEL TANK ASSEMBLY - MMG25FHICAN, MMG25FHICAN6



01439

FUEL TANK ASSEMBLY - MMG25FHICAN, MMG25FHICAN6

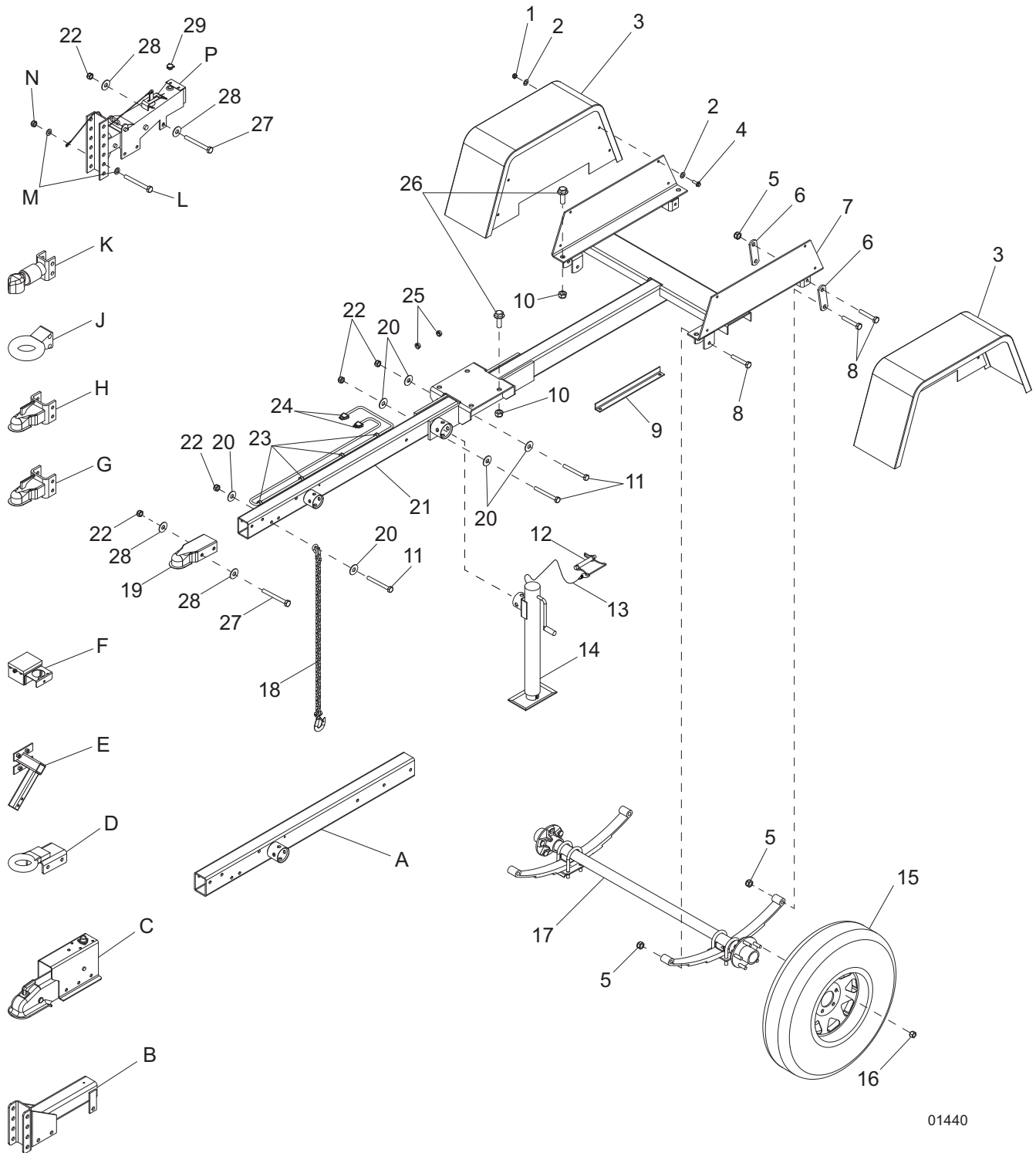
ITEM	PART	QTY	DESCRIPTION	NOTES
1	26379	1	Vent, plastic fuel - 1.0 ID	
2	62040	1	Clamp, hose - 1.50 fuel hose, crimp style	
3	14216	4	Clamp, hose - SAE 004 (.21-.62) miniature	
4	50018	2.5 ft	Hose, fuel - .312 ID, 50 psi, SAE 30R7	
5	50018	1.75 ft	Hose, fuel - .312 ID, 50 psi, SAE 30R7	
6	65636	1	Fitting, plug - 1.00NPT flush mount, w/hex soc	
7	15142	1	Fitting, strt - .250NPTx.312 barb	
8	60062	5	Screw, 10-32x.750 pan phil, G2	
9	60252	5	Washer, #10 split lock	
10	20571	1	Sender, fuel - 10-15 in. tank	
11	22323	1	Gasket, fuel sending unit	
12	15693	1	Fitting, 90° - .250NPTx.312 barb, brs	
13	26100B	1	Pan, 24 hr. containment	
14	21451	1	Fitting, strt - 1.0MNPTx1.0 barb, galv	
15	18394	1	Fitting, plug - .500NPT x internal hex	
16	24308B	1	Tank, fuel - 106 gal	
17	19338	1	Clamp, hose - SAE 016 (.68-1.50)	
18	50019	3 ft	Hose, fuel - 1.00 SAE 20R	

OPTIONAL FEATURES

Fuel Tank/Containment Package:

A	26406B	1	Tank, fuel - 78 gal. double wall
---	--------	---	----------------------------------

TRAILER ASSEMBLY - SINGLE AXLE



01440

TRAILER ASSEMBLY - SINGLE AXLE

ITEM	PART	QTY	DESCRIPTION	NOTES
1	60140	8	Nut, .375-16 hex, G5	
2	60386	16	Washer, .375 flat .993/.064	
3	22743B	2	Fender, single wheel	
4	60179	8	Screw .375-16x.750 std hex, G8	
5	60504	6	Nut, .562-18 lock hex, G5	
6	19637	4	Plate, shackle bracket	
7	24811B	1	Weldment, trailer chassis	
8	60503	6	Screw, shackle, .562-18x3.0 std hex, G5	
9	24691B	1	Brace, tongue shipping	
10	60240	6	Nut, .625-11 nylock, G5	
11	61104	3	Screw, .500-13x5.50 std hex, G8	
12	23256	1	Pin, jack - tube mounted	
13	13944	1	Cable, tether 11.5 in. x .06 stnlx .194 ring ends	
14	13050	1	Jack assembly, side wind	
15	15540	2	Wheel, ST205/75R15, 1598 lb - 6 PR	
16	60096	10	Nut, .500-20 wheel lug, G5	
17	<i>Page 70</i>	1	Assembly, axle	
18	23367	2	Chain, safety - 7,800 lbs rated	
19	15103	1	Coupler, 2.00 ball/3.00 channel, non-adjustable	
20	60416	6	Washer, .500 flat 1.375/.090	
21	24812B	1	Weldment, flip tongue, non-adjustable	
22	62221	7	Nut, .500-13 nylock, G5	
23	61010	7	Clamp, tubing - .375 hvy duty	
24	67856	1	Assembly, trailer extension 100 in.	
25	22340	2	Fitting, bushing - 1.0 ODx.750 ID	
26	61078	6	Screw, .625-11x2.0 flg hex, G8	
27	60376	2	Screw, .500-13x4.50 std hex, G5	
28	60309	4	Washer, .500 flat 1.060/.090	
29	30248	1	Cap, actuator, sealed	

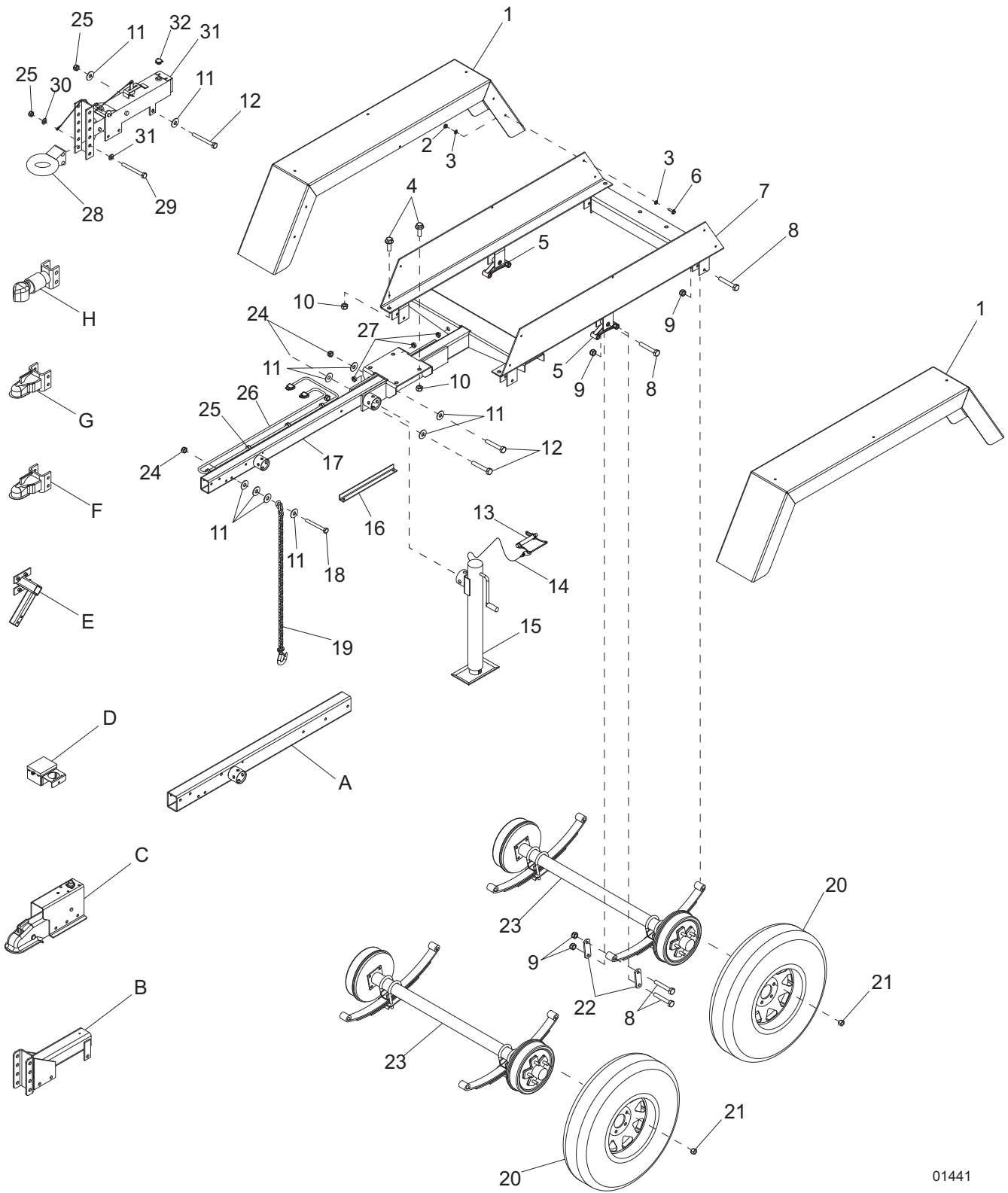
OPTIONAL FEATURES

A	24824B	1	Weldment, flip tongue - for adj. actuator/hitch
B	19379B	1	Weldment, hitch - electric 4 pos, adjustable
C	24304	1	Actuator, hyd surge - 2 in. ball, 6000 lb, non-adj
--	41762	1	O-ring, 24 mm, 2 in. ball
D	11032	1	Weldment, lun. ring - 3.0ID/3.0 tongue, non-adj
E	12235B	1	Weldment, spare tire holder
F	19417	1	Breakaway kit
G	19518	1	Coupler, 2.00 in. ball, adjustable
H	19519	1	Coupler, 2.31 in. ball, adjustable
J	19335B	1	Hitch, lunette ring - 3.0 ID, adjustable
K	41795	1	Coupler, 2.31 ball adjustable, 12500 lb bulldog
L	60239	2	Screw, .625-11x5.0 std hex, G5, adjustable
M	60180	4	Washer, .625 flat 1.750/.10-.16, adjustable
N	60240	2	Nut, .625-11 nylock, G5, adjustable
P	40529	1	Actuator, hydraulic surge brake, 7500 lb, adj
--	19421	1	Axle, 3500 lb, hydraulic
--	19422	1	Axle, 3500 lb, electric

Page 70

Page 70

TRAILER ASSEMBLY - TANDEM AXLE



01441

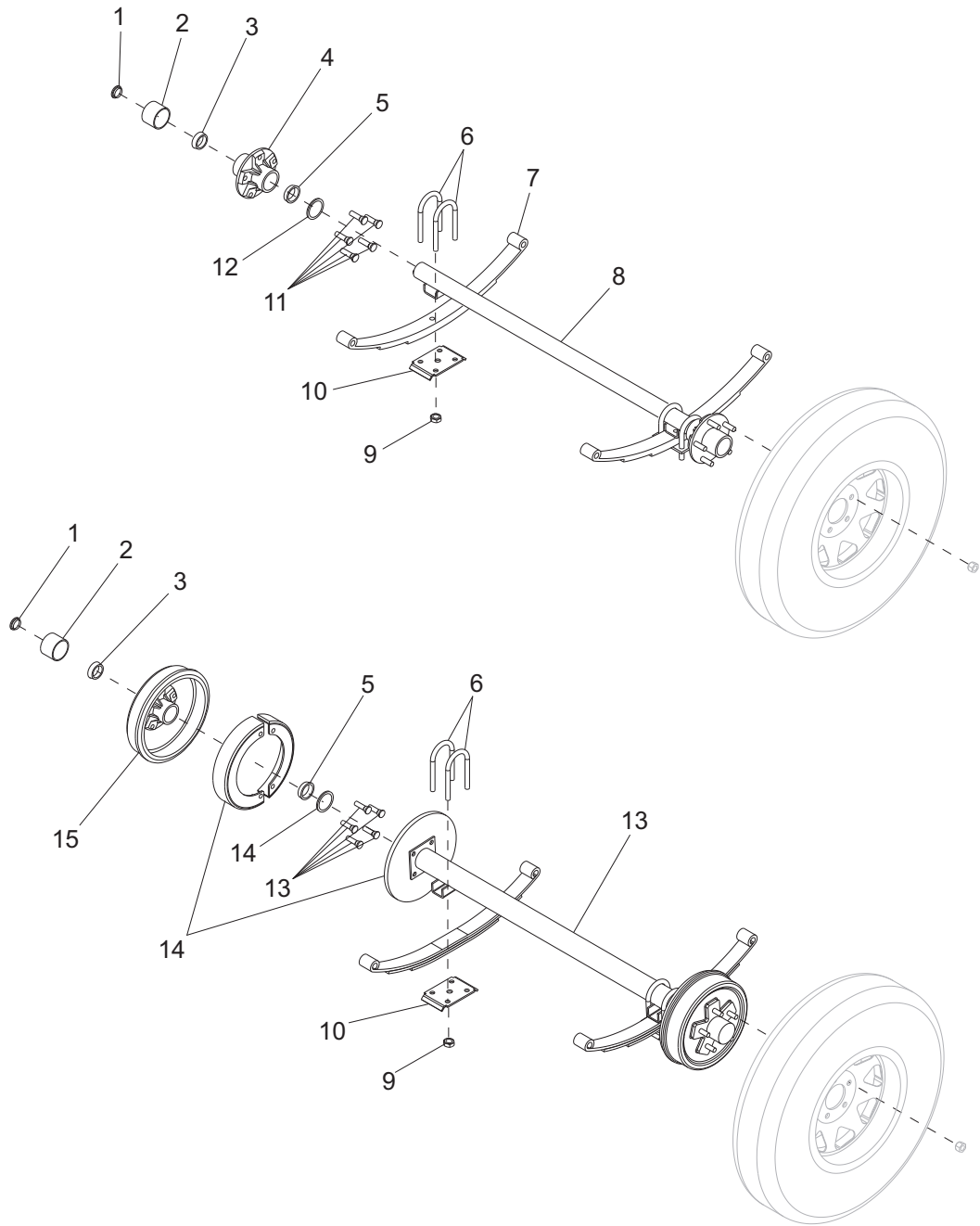
TRAILER ASSEMBLY - TANDEM AXLE

ITEM	PART	QTY	DESCRIPTION	NOTES
1	22976B	2	Weldment, fender tandem	
2	60140	10	Nut, .375-16 hex, G5	
3	60386	20	Washer, .375 flat .993/.064	
4	61078	6	Screw, .625-11x2.0 flg hex, G8	
5	40545	2	Equalizer, tandem axle	
6	60179	10	Screw .375-16x.750 std hex, G8	
7	24789B	1	Weldment, trailer	
8	60503	14	Screw, shackle, .562-18x3.0 std hex	
9	60504	14	Nut, .562-18 lock hex, G5	
10	60240	6	Nut, .625-11 nylock, G5	
11	60416	6	Washer, .500 flat 1.375/.090	
12	61104	3	Screw, .500-13x5.50 std hex, G8	
13	23256	1	Pin, jack - tube mounted	
14	13944	1	Cable, tether 11.5 in. x .06 stnlsx .194 ring ends	
15	13050	1	Jack assembly, side wind	
16	24691B	1	Brace, tongue shipping	
17	24824B	1	Weldment, flip tongue - adjustable actuator	
18	60376	2	Screw, .500-13x4.50 std hex, G5	
19	23367	2	Chain, safety - 7,800 lbs rated	
20	15540	4	Wheel, ST205/75R15, 1598 lb - 6 PR	
21	60096	20	Nut, .500-20 wheel lug, G5	
22	19637	8	Plate, shackle bracket	
23	<i>Page 70</i>	1	Assembly, axle	
24	62221	5	Nut, .500-13 nylock, G5	
25	16143	5	Clamp, tubing - .500	
26	67857	1	Harness, trailer extension - 100 in	
27	22340	4	Fitting, bushing - 1.0 ODx.750 ID	
28	19335B	1	Hitch, lunette ring - 3.0 ID - for adj. actuator	
29	60239	2	Screw, .625-11x5.0 std hex, G5	
30	60180	4	Washer, .625 flat 1.750/.10-.16	
31	40529	1	Actuator, hydraulic surge brake, adjustable	
32	30248	1	Cap, actuator, sealed	
--	27976	1	Harness, trailer	

OPTIONAL FEATURES

A	24812B	1	Weldment, flip tongue, non-adj. actuator
B	19379B	1	Weldment, hitch - electric 4 pos, adj. actuator
C	24304	1	Actuator, hydraulic surge brake, 2 in. ball
--	41762	1	O-ring, 24 mm, 2 in. ball
D	19417	1	Breakaway kit
E	12235B	1	Weldment, spare tire holder
F	19519	1	Coupler, 2.31 in. ball, adjustable actuator
G	19518	1	Coupler, 2.0 in. ball, adjustable actuator
H	41795	1	Coupler, 2.31 ball adjustable, 12500 lb bulldog

AXLE ASSEMBLY

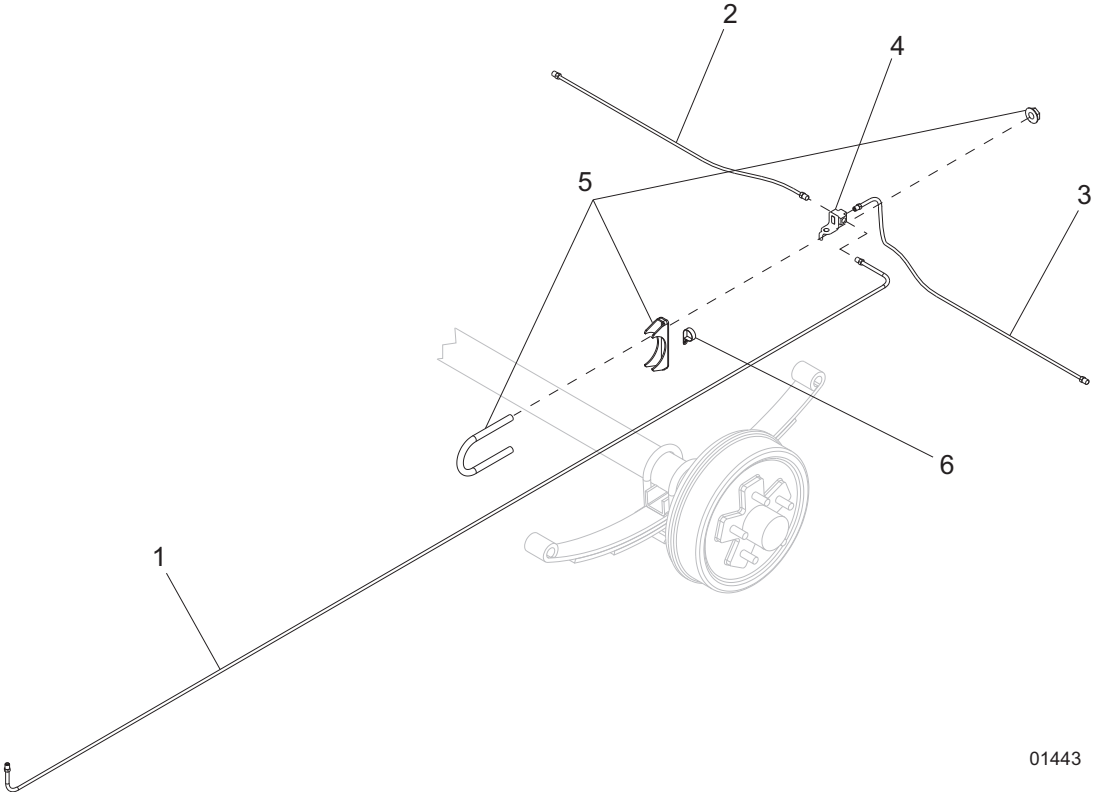


01442

AXLE ASSEMBLY

ITEM	PART	QTY	DESCRIPTION	NOTES
1	11254	2	Plug, grease cap - for zerk	
2	11253	2	Cap, grease - with rubber plug 3500 lb	
3	40956	2	Bearing, axle - outer	
4	11276	2	Hub, w/races 3500 lb	
5	40954	2	Bearing, inner - axle	
6	11277	4	U-bolt, axle - 3500 lb	
7	11280	4	Spring, leaf - 3500 lb	
8	18358	1	Axle, single (3500lb), no brakes	
9	26441	8	Nut, U-bolt -1/2-20 plated	
10	11278	2	Tie-plate, axle - 3500 lb	
11	60674	10	Stud, wheel - .500-20, G8	
12	12307	2	Seal, axle bearing - DL350	
--	22937	1	Assembly, axle - 3500 lb, no brakes	
13	19421	1	Axle, 3500 lb, hydraulic	
	19422	1	Axle, 3500 lb, electric	
14	40765	4	Assembly, 10 in. surge brake - RH	
	40764	4	Assembly, 10 in. surge brake- LH	
	26443	4	Assembly, 10 in. electric brake - RH	
	26442	4	Assembly, 10 in. electric brake - LH	
15	12311	4	Brake drum, axle - 10 in. 5 on 4.5 in	
--	24700	1	Assembly, axle - 3500 lb hydraulic brake	
--	22683	1	Assembly, axle- 3500 lb, electric brake	

BRAKE LINES - SINGLE AXLE

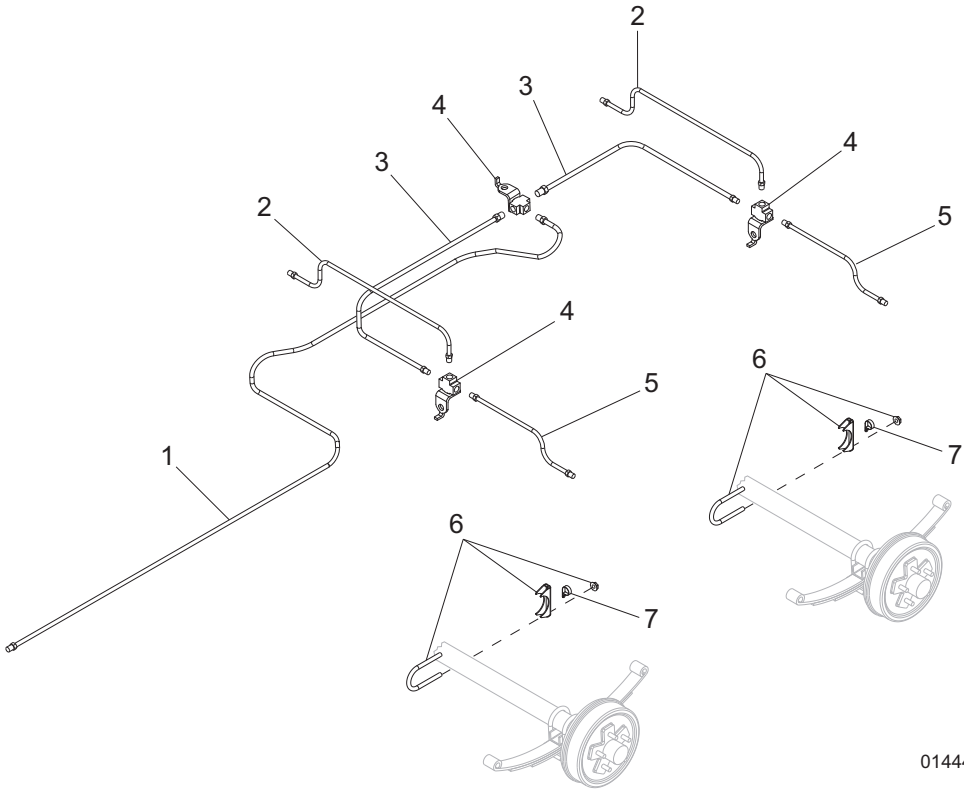


01443

BRAKE LINES - SINGLE AXLE

ITEM	PART	QTY	DESCRIPTION	NOTES
1	24688	1	Hose, brake - male/male	
2	40495	1	Line, brake - 20 in	
3	40494	1	Line, brake - 30 in	
4	19252	1	Fitting, brake line T w/bracket	
5	61028	1	Clamp, muffler - 2.5 in	
6	61010	1	Clamp, tubing - .375	

BRAKE LINES - TANDEM AXLE



01444

BRAKE LINES - TANDEM AXLE

ITEM	PART	QTY	DESCRIPTION	NOTES
1	24688	1	Hose, brake - male/male	
2	40494	2	Line, brake - .30 in	
3	40817	2	Hose, brake - 33 in. male/male	
4	19252	3	Fitting, brake line T w/bracket	
5	40495	2	Line, brake - 20 in	
6	61028	2	Clamp, muffler - 2.5 in	
7	61010	2	Clamp, tubing - .375	

RECOMMENDED SPARE PARTS LIST

ENGINE

Alternator	26049
Belt, fan - 4LE1-PV05	22258
Cap, fuel fill	23707
Cap, oil fill	16184
Cap, overflow jug	19714
Cap, radiator	19219
Element, air filter	21937
Element, fuel filter	15331
Filter, oil	15183
Hose, lower radiator	28626
Hose, upper radiator	28625
Jug, overflow	41958
Plug, glow - L3E	15683
Pump, fuel	16205
Sensor, low coolant	30942
Sensor, magnetic pick-up	18105
Sensor, oil pressure	18106
Sensor, temperature	19247

ELECTRICAL

Breaker, 20A/240V, 1-pole	65738
Breaker, 50A/240V, 2-pole	65739
Breaker, 90A	65334
Lug, terminal dual	65692
Lug, terminal single	65677
Receptacle, 120V/20A GFI	14130
Receptacle, twist-lock	18089
Regulator, voltage	10519
Relay, 12V - 70A NC/80A NO	66455
Switch, E-stop assembly	22550
Switch, phase - 4 pos	65665
Switch, phase - 63A, 3 pos	65700
Switch, toggle - SPST 20A	25077
Switch, trigger safety	12632
Switch, trigger safety - rear terminals	65830

TRAILER

Chain, safety	23367
Jack, top wind - 2000 lb	23254
Light, stop/turn/tail - left	65449
Light, stop/turn/tail - right	65448

NOTES

REV: E
PART NO: 28614
06.15.15